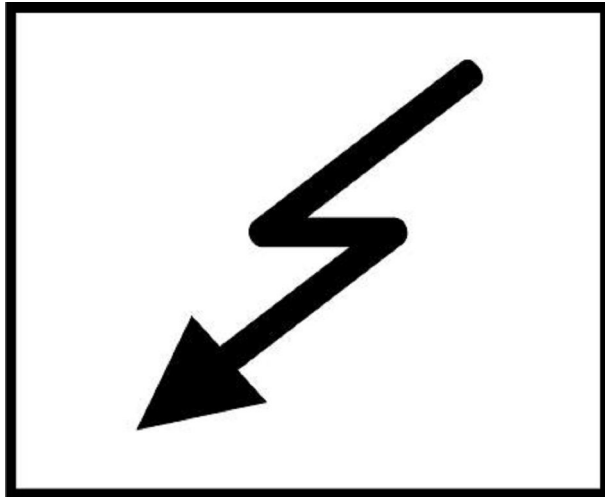


## Wiring Diagram

December 2009

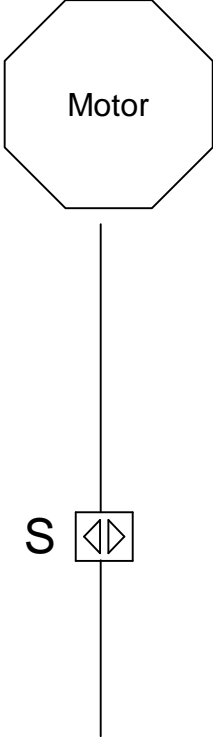
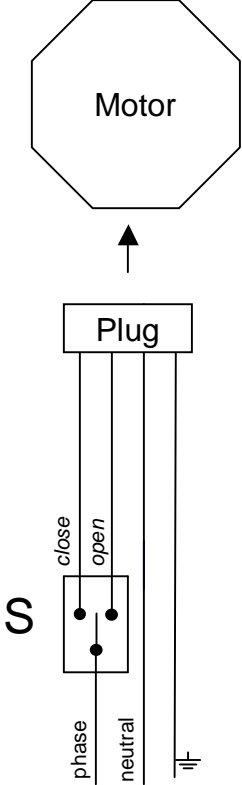


Motors

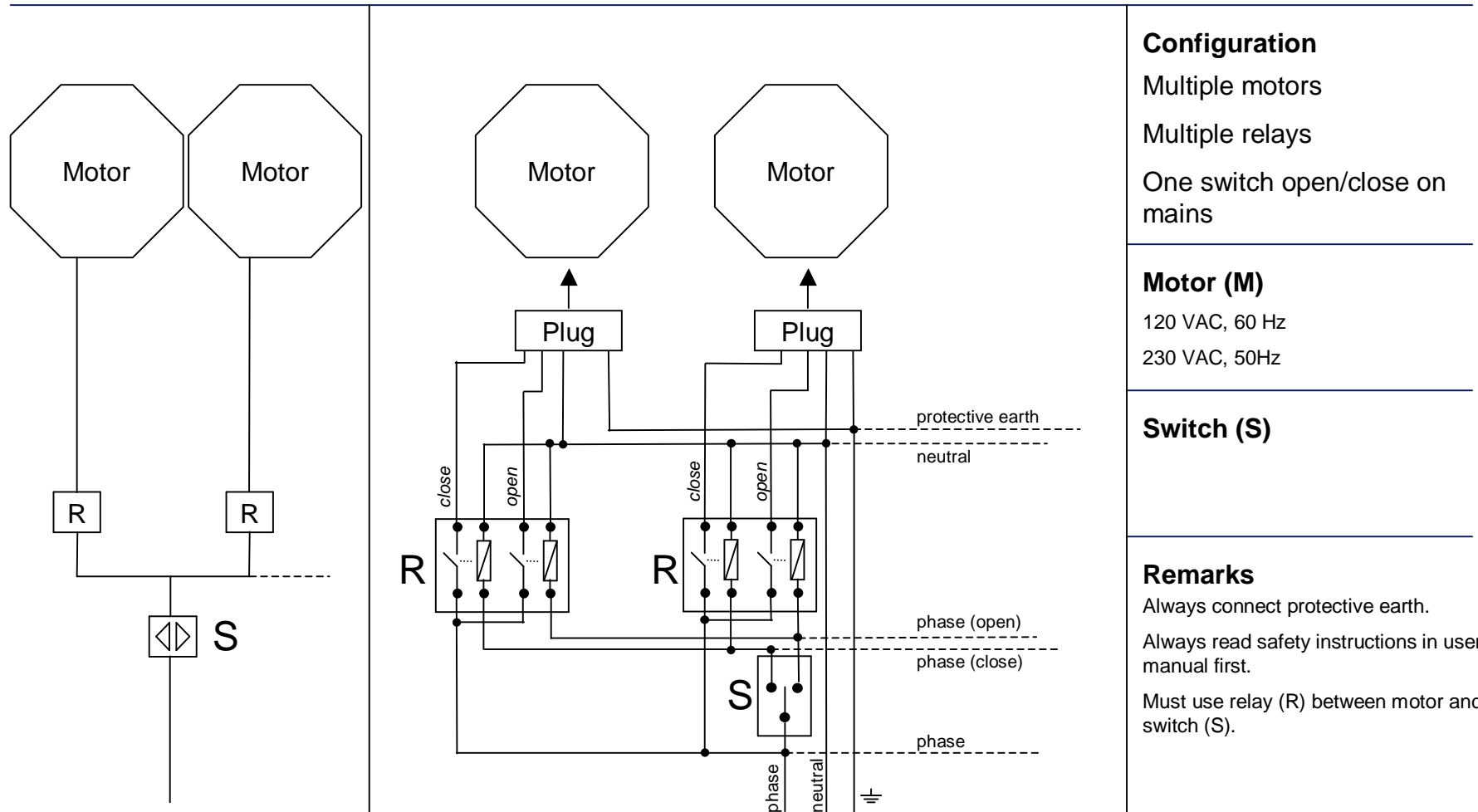
Silent Gliss® 10 Series

Silent Gliss® 20 Series

## Wiring Diagram for Silent Gliss Motors | 10 Series without built-in receiver

	 <p style="text-align: center;">120 VAC, 60 Hz 230 VAC, 50Hz</p>	<p><b>Configuration</b></p> <p>One motor</p> <p>One switch open/close via mains</p> <hr/> <p><b>Motor (M)</b></p> <p>120 VAC, 60 Hz 230 VAC, 50Hz</p> <hr/> <p><b>Switch (S)</b></p> <hr/> <p><b>Remarks</b></p> <p>Always connect protective earth.</p> <p>Always read safety instructions in user manual first.</p>
--	---	---

## Wiring Diagram for Silent Gliss Motors | 10 Series without built-in receiver



### Configuration

Multiple motors  
Multiple relays  
One switch open/close on mains

### Motor (M)

120 VAC, 60 Hz  
230 VAC, 50Hz

### Switch (S)

### Remarks

Always connect protective earth.  
Always read safety instructions in user manual first.  
Must use relay (R) between motor and switch (S).

Silent Gliss International AG

Group Headquarters, Worbstrasse 210, CH-3073 Gümligen, Switzerland

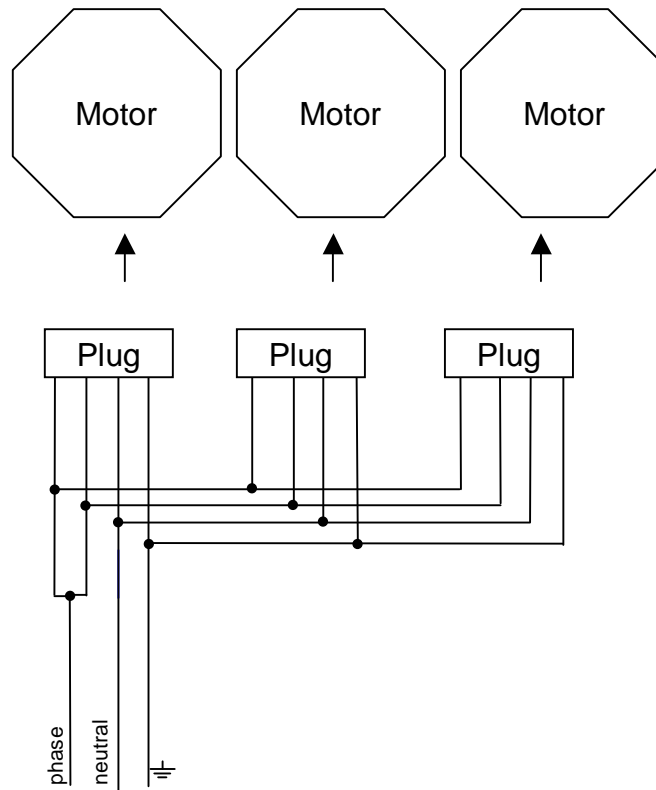
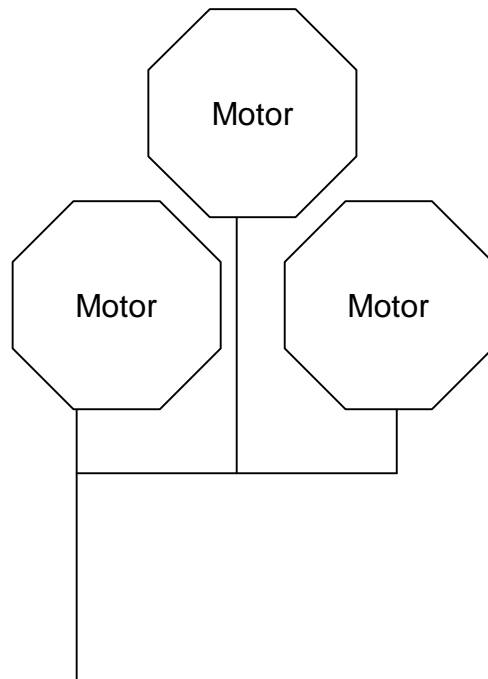
E-mail: [info@silentgliss.com](mailto:info@silentgliss.com), [www.silentgliss.com](http://www.silentgliss.com), Tel +41319588585, Fax +41319588586

Diagram No: 101902100

Revision: Dec 11, 2009

Author: Michel Frauchiger

## Wiring Diagram for Silent Gliss Motors | 10 Series with built-in receiver



120 VAC, 60 Hz  
230 VAC, 50Hz

### Configuration

Up to ten\* motors

Open/close with Silent Gliss radio transmitter

### Motor (M)

120 VAC, 60 Hz  
230 VAC, 50Hz

### Switch (S)

### Remarks

Always connect protective earth.

Always read safety instructions in user manual first.

\*All tubular motor currency together has to be 25% below the switch/fuse currency.

→ See Diagram No: **101902600 + 101902700**

**Silent Gliss International AG**

Group Headquarters, Worbstrasse 210, CH-3073 Gümligen, Switzerland

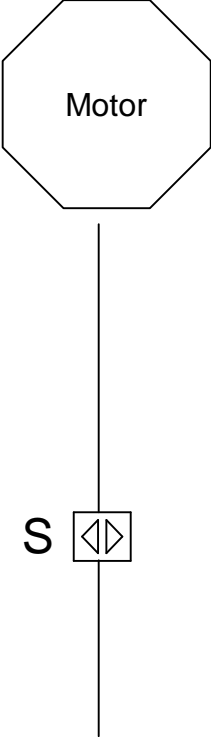
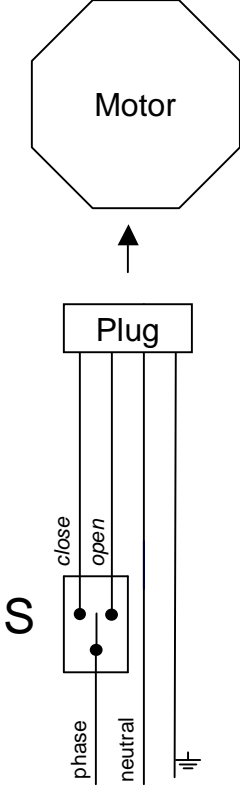
E-mail: [info@silentgliss.com](mailto:info@silentgliss.com), [www.silentgliss.com](http://www.silentgliss.com), Tel +41319588585, Fax +41319588586

**Diagram No: 101902200**

Revision: Dec 11, 2009

Author: Michel Frauchiger

## Wiring Diagram for Silent Gliss Motors | 20 Series without built-in receiver

	 <p style="text-align: center;">120 VAC, 60 Hz 230 VAC, 50Hz</p>	<p><b>Configuration</b></p> <p>One motor</p> <p>One switch open/close via mains</p> <hr/> <p><b>Motor (M)</b></p> <p>120 VAC, 60 Hz 230 VAC, 50Hz</p> <hr/> <p><b>Switch (S)</b></p> <hr/> <p><b>Remarks</b></p> <p>Always connect protective earth.</p> <p>Always read safety instructions in user manual first.</p>
--	---	---

**Silent Gliss International AG**

Group Headquarters, Worbstrasse 210, CH-3073 Gümligen, Switzerland

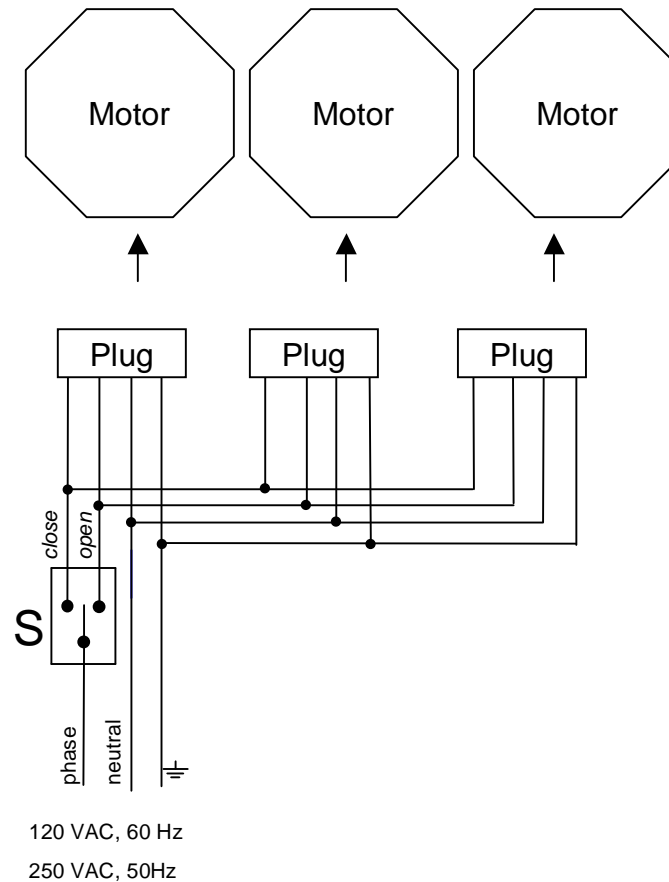
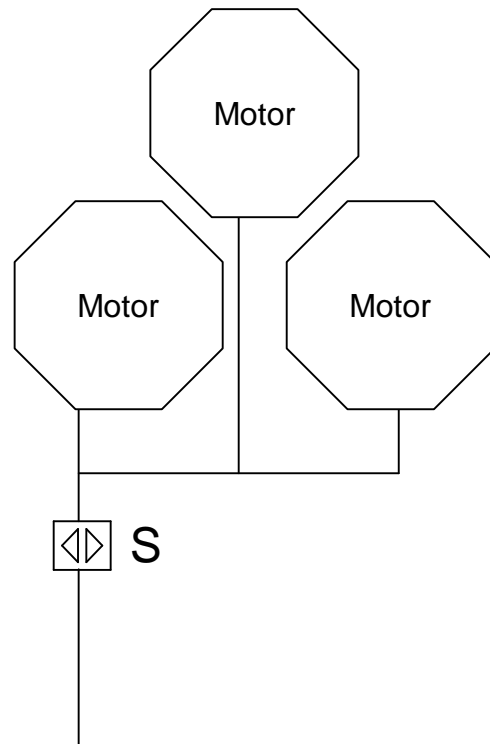
E-mail: [info@silentgliss.com](mailto:info@silentgliss.com), [www.silentgliss.com](http://www.silentgliss.com), Tel +41319588585, Fax +41319588586

**Diagram No: 101902300**

Revision: Dec 11, 2009

Author: Michel Frauchiger

## Wiring Diagram for Silent Gliss Motors | 20 Series without built-in receiver



### Configuration

Up to ten\* motors  
One switch open/close on mains

### Motor (M)

120 VAC, 60 Hz  
230 VAC, 50Hz

### Switch (S)

### Remarks

Always connect protective earth.

Always read safety instructions in user manual first.

\*All tubular motor currency together has to be 25% below the switch/fuse currency.

→ See Diagram No: **101902600 + 101902700**

**Silent Gliss International AG**

Group Headquarters, Worbstrasse 210, CH-3073 Gümligen, Switzerland

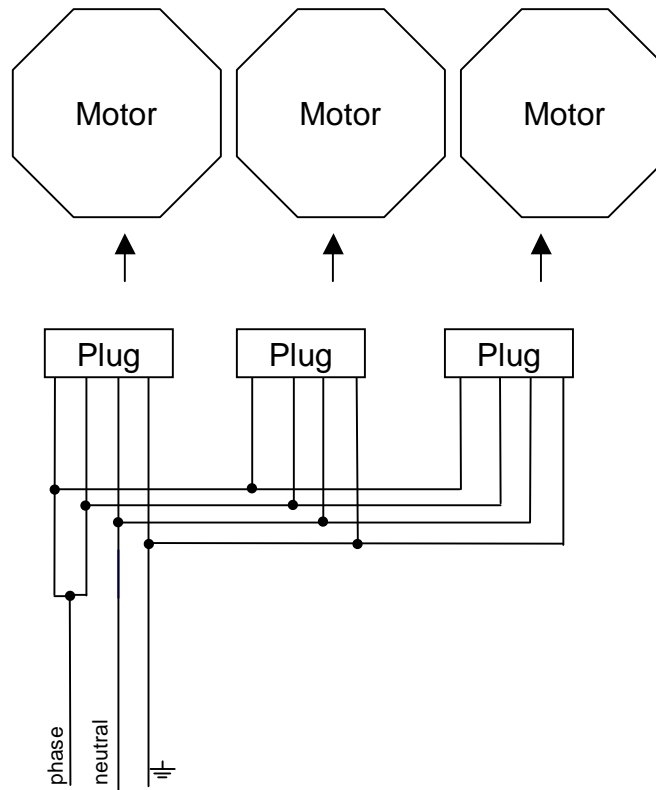
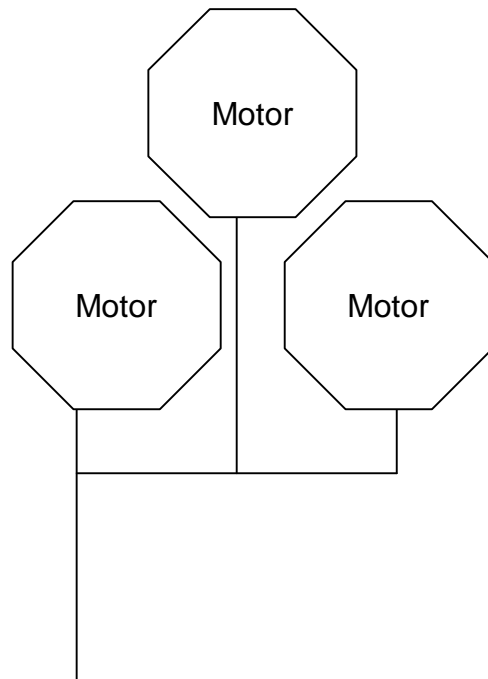
E-mail: [info@silentgliss.com](mailto:info@silentgliss.com), [www.silentgliss.com](http://www.silentgliss.com), Tel +41319588585, Fax +41319588586

**Diagram No: 101902400**

Revision: Dec 11, 2009

Author: Michel Frauchiger

## Wiring Diagram for Silent Gliss Motors | 20 Series with built-in receiver



120 VAC, 60 Hz  
230 VAC, 50Hz

### Configuration

Up to ten\* motors  
Open/close with Silent Gliss radio transmitter

### Motor (M)

120 VAC, 60 Hz  
230 VAC, 50Hz

### Switch (S)

### Remarks

Always connect protective earth.

Always read safety instructions in user manual first.

\*All tubular motor currency together has to be 25% below the switch/fuse currency.

→ See Diagram No: **101902600 + 101902700**

**Silent Gliss International AG**

Group Headquarters, Worbstrasse 210, CH-3073 Gümligen, Switzerland

E-mail: [info@silentgliss.com](mailto:info@silentgliss.com), [www.silentgliss.com](http://www.silentgliss.com), Tel +41319588585, Fax +41319588586

**Diagram No: 101902500**

Revision: Dec 11, 2009

Author: Michel Frauchiger

## Wiring Diagram for Silent Gliss Motors | Technical Information

SG Nr.	SG ERP Nr.	Description	Voltage / Hz	Watt	Ampere
10310	101031000	Tubular motor 230V AC,10 Series S 2/70	230/50	150	0,65
10311	101031100	Tubular motor 230V AC,10 Series S 2/70-868 MHz	230/50	150	0,65
10311	101031101	Tubular motor 230V AC,10 Series S 2/70-915 MHz	230/50	150	0,65
10320	101032000	Tubular motor 230V AC,20 Series S 2/70	230/50	150	0,65
10321	101032100	Tubular motor 230V AC,20 Series S 2/70-868 MHz	230/50	150	0,65
10321	101032101	Tubular motor 230V AC,20 Series S 2/70-915 MHz	230/50	150	0,65
10312	101031200	Tubular motor 230V AC,10 Series S 5/30	230/50	150	0,65
10313	101031300	Tubular motor 230V AC,10 Series S 5/30-868 MHz	230/50	150	0,65
10313	101031301	Tubular motor 230V AC,10 Series S 5/30-915 MHz	230/50	150	0,65
10322	101032200	Tubular motor 230V AC,20 Series S 5/30	230/50	150	0,65
10323	101032300	Tubular motor 230V AC,20 Series S 5/30-868 MHz	230/50	150	0,65
10323	101032301	Tubular motor 230V AC,20 Series S 5/30-915 MHz	230/50	150	0,65
10316	101031600	Tubular motor 230V AC,10 Series M 15/23	230/50	200	0,90
10317	101031700	Tubular motor 230V AC,10 Series M 15/23-868 MHz	230/50	200	0,90
10317	101031701	Tubular motor 230V AC,10 Series M 15/23-915 MHz	230/50	200	0,9
10326	101032600	Tubular motor 230V AC,20 Series M 15/23	230/50	200	0,90
10327	101032700	Tubular motor 230V AC,20 Series M 15/23-868 MHz	230/50	200	0,90
10327	101032701	Tubular motor 230V AC,20 Series M 15/23-915 MHz	230/50	200	0,90
10410	101041000	Tubular motor 120V AC,10 Series S 1.3/84	120/60	130	1,1
10411	101041100	Tubular motor 120V AC,10 Series S 1.3/84-915 MHz	120/60	130	1,1
10420	101042000	Tubular motor 120V AC,20 Series S 1.3/84	120/60	130	1,1
10421	101042100	Tubular motor 120V AC,20 Series S 1.3/84-915 MHz	120/60	130	1,1
10412	101041200	Tubular motor 120V AC,10 Series S 3/36	120/60	130	1,1
10413	101041300	Tubular motor 120V AC,10 Series S 3/36-915 MHz	120/60	130	1,1
10422	101042200	Tubular motor 120V AC,20 Series S 3/36	120/60	130	1,1
10423	101042300	Tubular motor 120V AC,20 Series S 3/36-915 MHz	120/60	130	1,1
10510	101051000	Tubular motor 120V AC,10 Series S 5/17	120/60	130	1,1
10511	101051100	Tubular motor 120V AC,10 Series S 5/17-915 MHz	120/60	130	1,1
10520	101052000	Tubular motor 120V AC,20 Series S 5/17	120/60	130	1,1
10521	101052100	Tubular motor 120V AC,20 Series S 5/17-915 MHz	120/60	130	1,1
10416	101041600	Tubular motor 120V AC,10 Series M 12/28	120/60	240	2
10417	101041700	Tubular motor 120V AC,10 Series M 12/28-915 MHz	120/60	240	2
10426	101042600	Tubular motor 120V AC,20 Series M 12/28	120/60	240	2
10427	101042700	Tubular motor 120V AC,20 Series M 12/28-915 MHz	120/60	240	2
10418	101041800	Tubular motor 120V AC,10 Series M 16/17	120/60	240	2
10419	101041900	Tubular motor 120V AC,10 Series M 16/17-915 MHz	120/60	240	2
10428	101042800	Tubular motor 120V AC,20 Series M 16/17	120/60	240	2
10429	101042900	Tubular motor 120V AC,20 Series M 16/17-915 MHz	120/60	240	2

### Configuration

#### Motor (M)

120 VAC, 60 Hz

230 VAC, 50Hz

#### Switch (S)

### Remarks

**Silent Gliss International AG**

Group Headquarters, Worbstrasse 210, CH-3073 Gümligen, Switzerland

E-mail: [info@silentgliss.com](mailto:info@silentgliss.com), [www.silentgliss.com](http://www.silentgliss.com), Tel +41319588585, Fax +41319588586

**Diagram No: 101902600**

Revision: Dec 11, 2009

Author: Michel Frauchiger



## Wiring Diagram for Silent Gliss Motors | Calculation Example

Parallel wiring possible (up to ten motors) expect 10 Series without integrated receiver.  
All tubular motor currency together has to be 25% below the switch/fuse currency.

### Example calculation 1

10 Ampere → Switch or Fuse currency

10 Ampere – 25% = Max. 7.5 Ampere

10 Motors 20 Series 230V,5/30, 0.65 Ampere

=10 x 0.65 Ampere = 6.5 Ampere → **Ok!**

### Example calculation 2

10 Ampere → Switch or Fuse currency

10 Ampere – 25% = Max. 7.5 Ampere

10 Motors 20 Series 230V,15/23, 0.9 Ampere

= 10 x 0.9 Ampere = 9 Ampere = 1.5 Ampere too much → **Not Ok!**

Use separate relays.

### Configuration

#### Motor (M)

120 VAC, 60 Hz

230 VAC, 50Hz

#### Switch (S)

#### Remarks

Always read safety instructions in user manual first.

Parallel wiring possible (up to ten motors) expect 10 Series without integrated receiver.

All tubular motor currency together has to be 25% below the switch/fuse currency.

**Silent Gliss International AG**

Group Headquarters, Worbstrasse 210, CH-3073 Gümligen, Switzerland

E-mail: [info@silentgliss.com](mailto:info@silentgliss.com), [www.silentgliss.com](http://www.silentgliss.com), Tel +41319588585, Fax +41319588586

**Diagram No: 101902700**

Revision: Dec 11, 2009

Author: Michel Frauchiger