

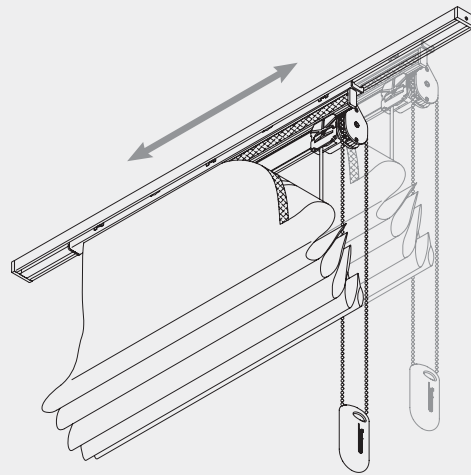
# Special Systems





Curtain System, movable

## Silent Gliss® 2504



### Product Information

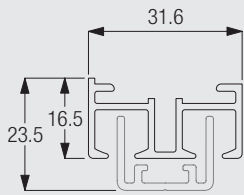
- Used to move following Silent Gliss Systems sideways: Roman Blind System 2210; Vertical Blind System 2810; Roller Blind System 4810 and 4810DF, Venetian Blind Systems 8100/8110/8300 and Pleated Blind System AK 10.
- The system will only be delivered as composition!
- Range of use: if there is insufficient distance between ceiling and window sash, the system can be moved sideways and you can open the window completely.
- As movable sun- and glare shield in offices with workstations. The system can be positioned, where direct solar radiation comes in, so an ideal adjustment of the light incidence is enabled.
- As mobile Room Divider Systems, where a temporary screen or only a temporary room divider is needed.
- For an individual window- and room design.



2504

## Profil Information

Combination of profile 6003 and carriage 2504

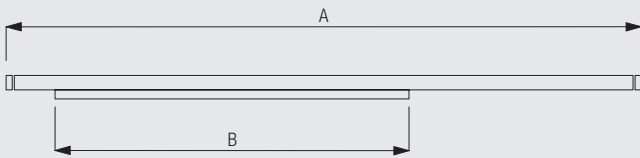


6003/2504



Only for straight systems.

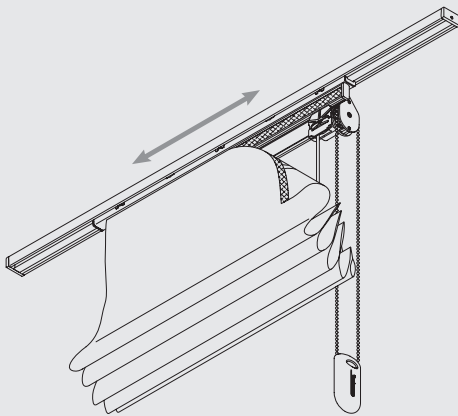
## How to Measure



A: System length  
B: Carriage length

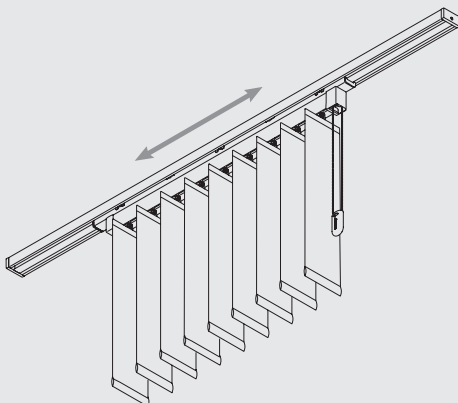
## System Options

Roman Blind System 2210



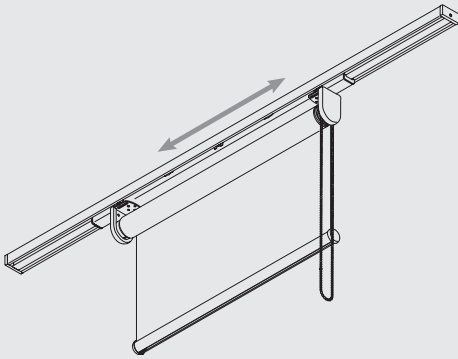
max. width: 200 cm  
max. height: 250 cm

Vertical Blind System 2810



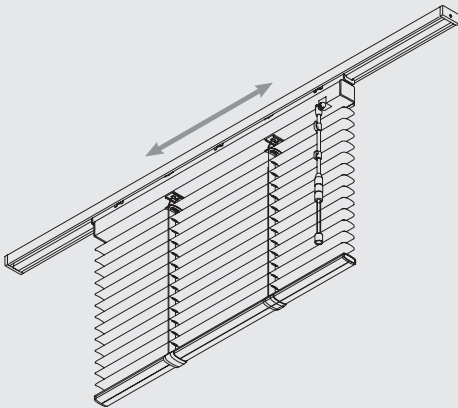
max. width: 250 cm  
max. height: 300 cm

## Roller Blind System 4810 und 4810DF



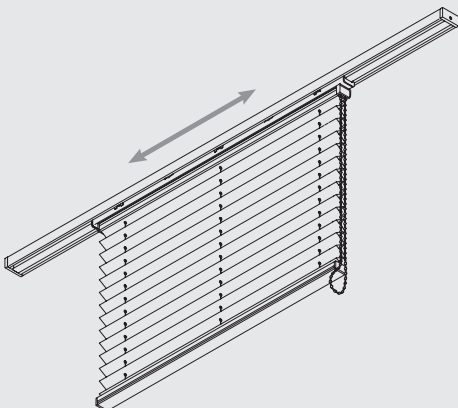
max. width: 200 cm  
max. height: 300 cm

## Venetian Blind System 8100 / 8110 / 8300



max. width: 200 cm  
max. height: 250 cm  
\* max. 3m<sup>2</sup> (16 mm) / 4m<sup>2</sup> (25 mm)

## Pleated Blind System AK 10

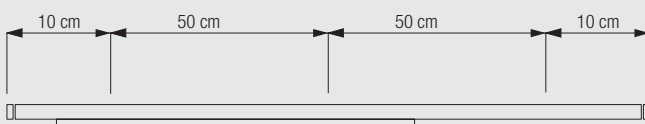


max. width: 200 cm  
max. height: 250 cm



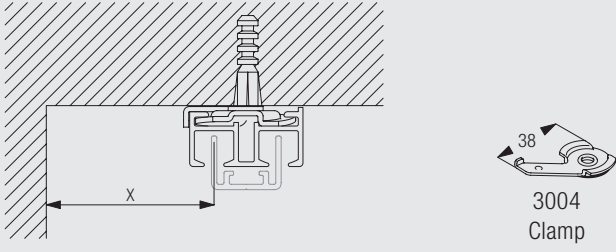
2504

## Bracket Positioning



## Fitting Options

### Ceiling fitting with clamp 3004



x = The final distances from the wall/window depend on barriers like radiators, window handle, window ledge, etc.

## Standard accessories (single parts)

2504 Carriage complete

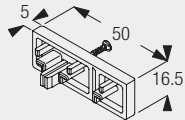


6013 Endstop

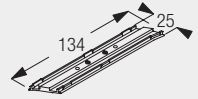


## Useful Measurements

2535 Endcover for Profile 6003 and 6058



3008 Connecting bridge for Profile 6003



2504



2504

[www.silentgliss.at](http://www.silentgliss.at)  
[www.silentgliss-russia.com](http://www.silentgliss-russia.com)  
[www.silentgliss-cee.com](http://www.silentgliss-cee.com)

Silent Gliss GesmbH  
Gewerbestraße 6  
A - 6710 Nenzing  
Tel. + 43 (0) 5525 64 111  
Fax. + 43 (0) 5525 63 170

Silent Gliss GesmbH  
Jochen-Rindt-Straße 1  
A - 1230 Wien  
Tel. + 43 (0) 1 615 02 72  
Fax. + 43 (0) 1 615 02 72-88

Silent Gliss GesmbH  
Vertriebsbüro / Showroom  
Stubenring 6  
A – 1010 Wien  
Tel. +43 (0) 1 513 16 77  
Fax. +43 (0) 1 513 16 77-88