

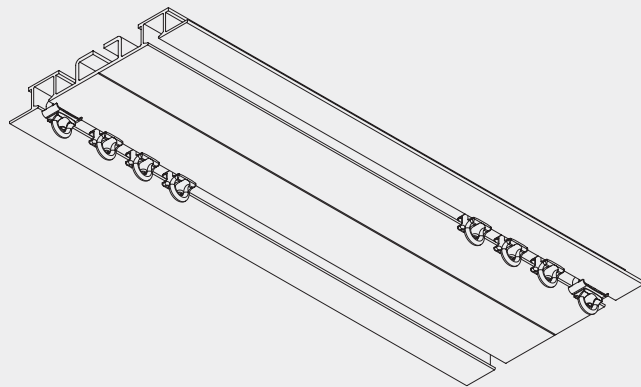
Hand Operated Curtain Track Systems





Hand Operated Curtain Track System

Silent Gliss® 6244



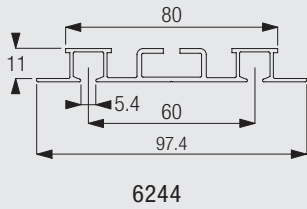
Product Information

- Two channel curtain track for medium to heavy weight recess applications.
- Standard: not pre-drilled.
- Standard colours: anodised aluminium or white powder coated.
- Standard length of the profiles are 6 m.
- For one, two or multiple symmetrical or asymmetrical curtains.
- Attractive fabric offer.
-



6244

Profile and Bending Information



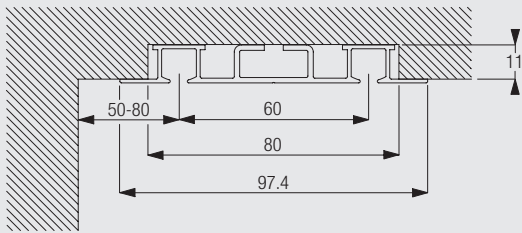
Cannot be bent!

Bracket Positioning

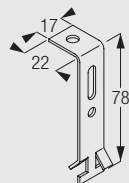
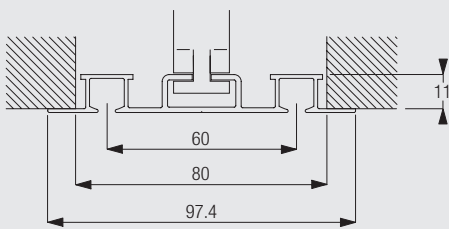


Fitting Options

Recess fitting



Recess fitting with hanger 6268



6268
Hanger

Standard Accessories

6065 Endstop



6086 Spring stop



6240 Roller



6244 Profile



Optional Accessories

3581	Hook		3598	Eyelet	
3599	Hook		6013	Endstop	
6057	Glider		6083	Glider	
6096	Glider 6083 in strip form		6098	Roller	
6213	Clic-Glider		6268	Hanger	
6283	Roller				



6244



6244



6244

www.silentgliss.at
www.silentgliss-russia.com
www.silentgliss-cee.com

Silent Gliss GesmbH
Jochen Rindt Straße 1
A - 1230 Wien

Tel. + 43 (0) 1 615 02 72
Fax. + 43 (0) 1 615 02 72-88

Silent Gliss GesmbH
Showroom/Export
Stubenring 6
A – 1010 Wien

Tel. +43 (0) 1 513 16 77
Fax. +43 (0) 1 513 16 77-88