

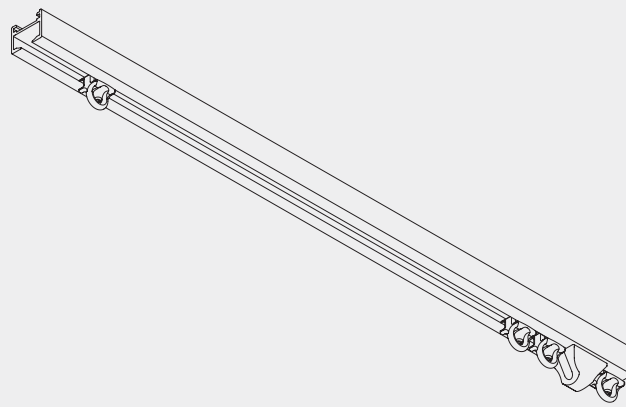
# Hand Operated Curtain Track Systems





## Hand Operated Curtain Track System

# Silent Gliss® 6465



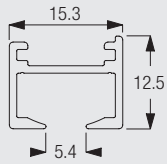
### Product Information

- Hand operated curtain track in domestic and contract applications.
- For light or medium weight curtains.
- Very elegant, thin and bendable profile (min. radius 80 mm).
- Easy fixing with hidden clamp to all kind of ceilings.
- Standard colours: anodised aluminium or white powder coated.
- Standard length of the profiles are 6 m. Systems can be planned to unlimited lengths due to a special connecting bridge.
- All regular curtain heading systems as well as Wave option apply with Silent Gliss 6465.



6465

## Profile and Bending Information



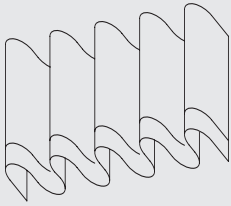
6465



Min. radius 80 mm  
(Min. radius 280 cm with Wave)

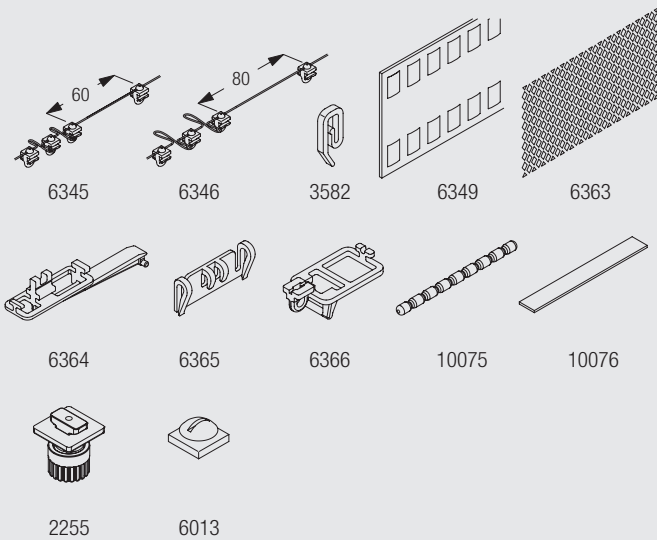
## System Options

### Wave curtain heading system



The Wave is an exciting contemporary curtain heading system which allows curtains to hang in a continuous wave which is smooth, simple and elegant.

Min. bending radius 280 mm when Wave is used!



The Wave components are:

3582 Hook  
6013 End stop  
6345 Glider Cord 60 mm  
6346 Glider Cord 80 mm  
6349 Curtain tape  
6363 Iron tape  
6364 Extension  
6365 Hanger  
6366 Carrier for draw rod  
10075 Lead weight 50 gr/m  
10076 Fabric weight  
2255 Brake Comb.



6465

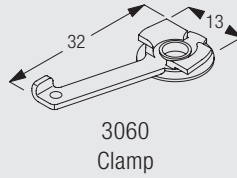
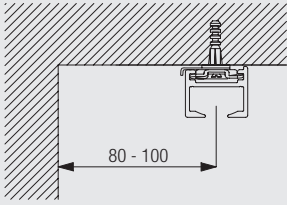
## Fitting Information



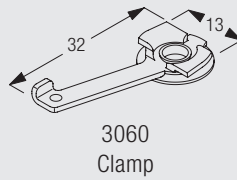
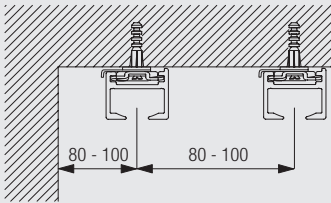
The fixing distances are meant as a guide only: they may vary in practice, depending on surface and curtain weight.

## Fitting Options

### Ceiling fitting with clamp 3060

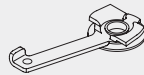


### Ceiling fitting with two profiles and clamp 3060



## Standard Accessories

3060 Clamp



3599 Hook



6065 Endstop



6083 Glider



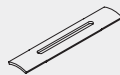
6245 Spring



6465

## Optional Accessories

3062 Connecting bridge



3582 Hook



3598 Eyelet



6057 Glider



6096 Glider 6083 in strip form

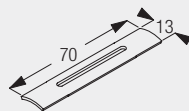


6471 End cover

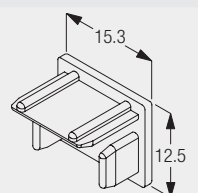


## Useful Measures

3062 Connecting bridge



6471 End cover





6465



6465

[www.silentgliss.at](http://www.silentgliss.at)  
[www.silentgliss-russia.com](http://www.silentgliss-russia.com)  
[www.silentgliss-cee.com](http://www.silentgliss-cee.com)

Silent Gliss GesmbH  
Jochen Rindt Straße 1  
A - 1230 Wien

Tel. + 43 (0) 1 615 02 72  
Fax. + 43 (0) 1 615 02 72-88

Silent Gliss GesmbH  
Showroom/Export  
Stubenring 6  
A – 1010 Wien

Tel. +43 (0) 1 513 16 77  
Fax. +43 (0) 1 513 16 77-88