

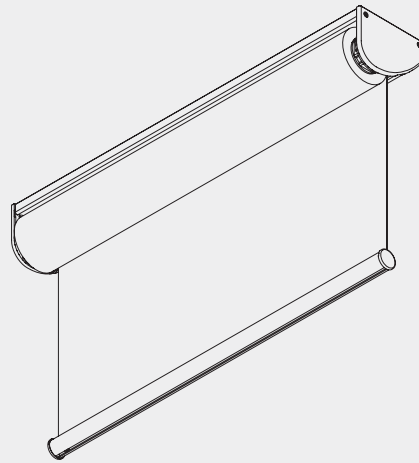
Roller Blind Systems





Battery Operated Roller Blind System

Silent Gliss® 4955



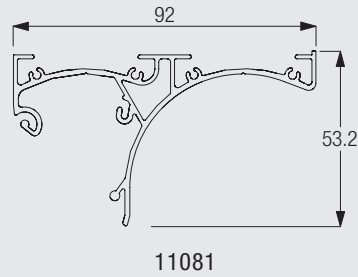
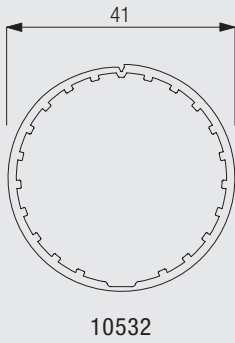
Product Information

- Elegant battery operated roller blind system for contract and residential applications.
- Battery pack concealed in fascia profile. Batteries to be easily exchanged.
- Long lasting battery life, up to three years (depending on usage, system size, fabric and battery type, room temperature).
- For applications up to a maximum width of 2.4 m and a maximum drop of 4 m. The maximum load is 2.5 kg.
- Various fixing possibilities to ceiling, wall or recess. To be mounted with clamps or direct fixing (screw through profile).
- Choice of three different bottom bar designs.
- Supplied complete with motor, ready assembled, made-to-measure with fabric. Large and attractive fabric offer.
- Convenient operation with radio wall switches and radio remote controls.



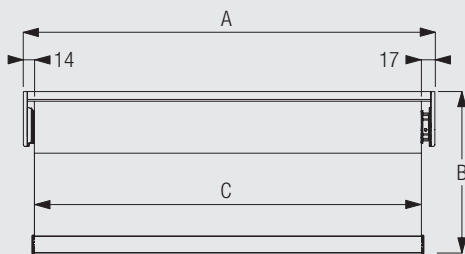
4955

Profile and Bending Information



How to Measure

Measurement information



A: System width
B: System drop
C: Fabric width

System Dimensions



4955



2.4 m



60 cm



4 m



2.5 kg (incl. bottom weight)

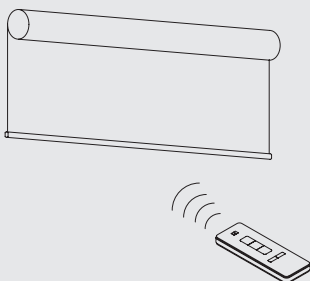
Maximum system drop

Fabric thickness	mm	0.15	0.20	0.25	0.30	0.35	0.40	0.45	0.50	0.55	0.60	0.65	0.70	0.75	0.80
Max. system drop	cm	400	400	400	400	400	400	390	350	320	290	270	250	230	220

Please note: The max. system width/drop also depends on the fabric type.

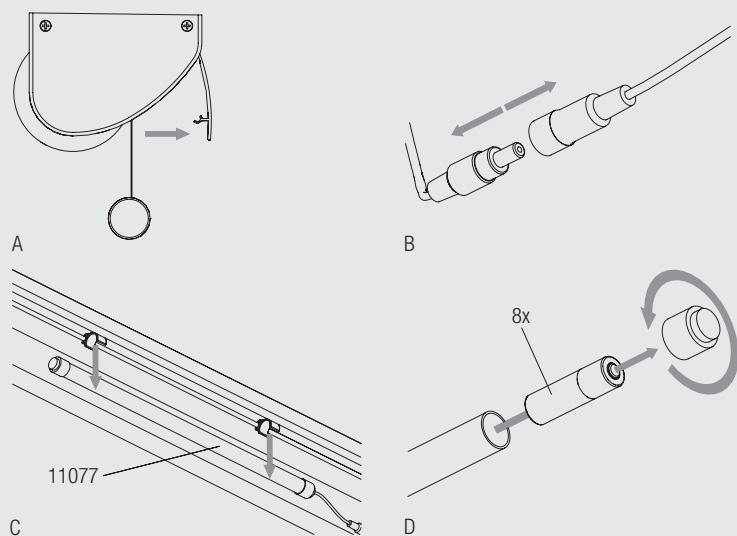
System Features

Radio hand-held and wall controls



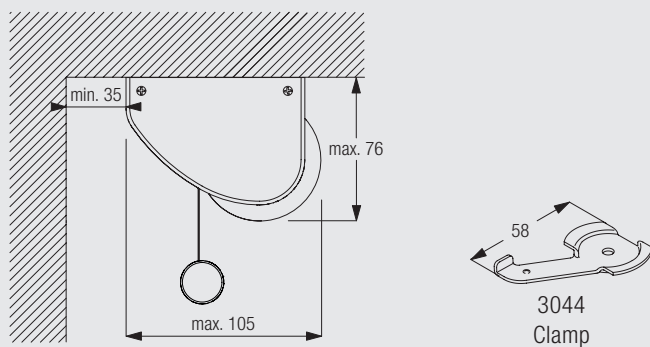
The motor SG 11076 features an integrated radio receiver. Combined with radio remote controls and wall switches, this system offers maximum comfort without wiring.

Battery exchange



Fitting Options

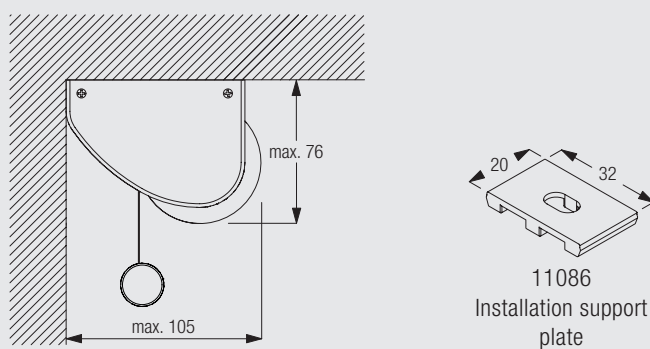
Ceiling fitting with clamps 3044



All these measures are based on the maximum system dimensions.

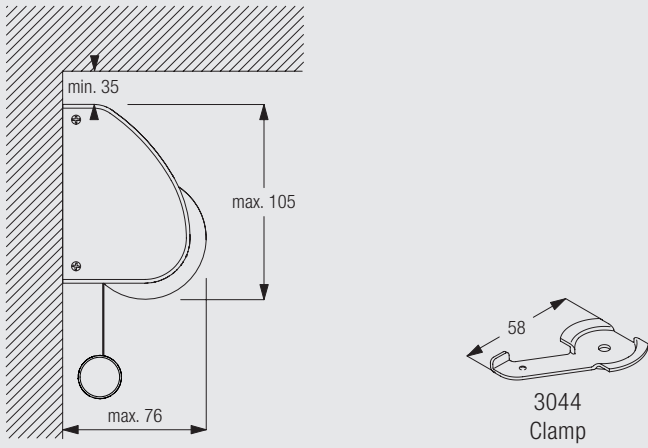


Ceiling fitting with direct mounting



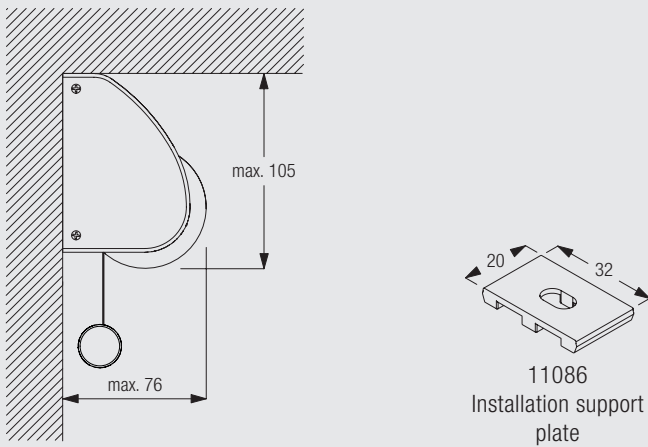
All these measures are based on the maximum system dimensions.

Wall fitting with clamps 3044



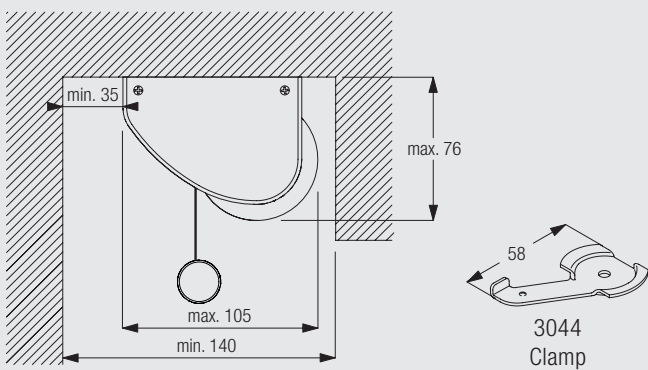
All these measures are based on the maximum system dimensions.

Wall fitting with direct mounting



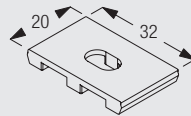
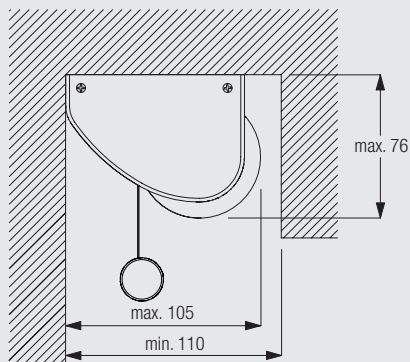
All these measures are based on the maximum system dimensions.

Recess fitting with clamps 3044



All these measures are based on the maximum system dimensions.






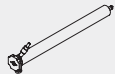
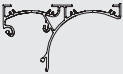
Recess fitting with direct mounting



11086
Installation support
plate

All these measures are based on the maximum system dimensions.

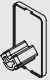






Standard Accessories

3044	Clamp		4221	Weight bar	
10532	Profile		10543	Support bracket click side	
10544	Support bracket drive side (24 V DC motor)		10557	Support	
10639	End cover round		10668	Strip (10 mm)	
10690	Spacer		10946	Radio hand-held transmitter, 1 channel	
11039	Cable protection / cover		11072	Motor drive	
11075	Tube adapter		11076	Motor, 1.2 Nm	
11077	Battery box		11081	Profile	
11082	Profile cover		11083	Cover right	
11084	Cover left		11085	Battery box holder	
11086	Installation support plate		11099	Alkaline AA battery	

4955

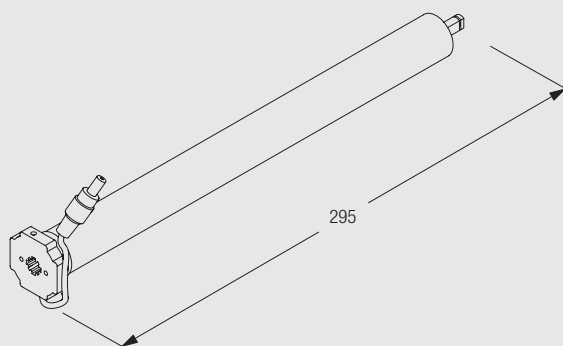
Optional Accessories

10633	Weight bar		10634	Weight bar	
-------	------------	---	-------	------------	---

10635	End cover square		10637	End cover oval	
10947	Radio hand-held transmitter, 2+1 channel		10948	Radio hand-held transmitter, 6+1 channel	
10949	Radio wall transmitter, 1 channel		10950	Radio wall transmitter, 2 channel	
10951	Radio wall transmitter, 5+1 channel				

Motor & Controls

Motor Silent Gliss 11076



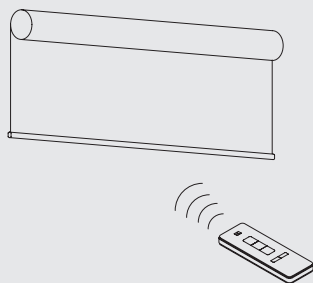
- Voltage: DC 12 V
- Torque: 1.2 Nm
- Speed: 30 rpm
- Power: 6.6 W
- Current: 550 mA

Operation Methods



4955

Radio hand-held and wall controls



The motor SG 11076 features an integrated radio receiver. Combined with radio remote controls and wall switches, this system offers maximum comfort without wiring.



4955



4955



4955

www.silentgliss.at
www.silentgliss-russia.com
www.silentgliss-cee.com

Silent Gliss GesmbH
Jochen Rindt Straße 1
A - 1230 Wien

Tel. + 43 (0) 1 615 02 72
Fax. + 43 (0) 1 615 02 72-88

Silent Gliss GesmbH
Showroom/Export
Stubenring 6
A – 1010 Wien

Tel. +43 (0) 1 513 16 77
Fax. +43 (0) 1 513 16 77-88