

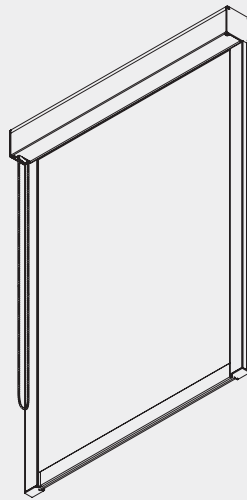
# Dim-Out Blind Systems





## Chain Operated Dim-Out Blind System

# Silent Gliss® 4710 Small



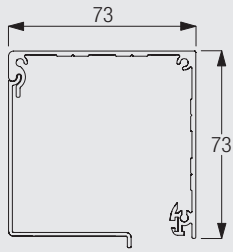
### Product Information

- Technically advanced chain-operated dim-out blind system.
- 73 mm box for applications up to a width of 1.6 m, a height of 1.6 m or surface of 2.5 m<sup>2</sup>.  
Maximum weight load: 2 kg.
- Easy click-in side profiles.
- Inside recess or outside recess fitting.
- System available in black or white. Plastic components are black or white in all cases.
- Fabrics are contained within the side profiles by a zip profile.
- Choice of FR blackout fabrics.
- Delivered ready-assembled made-to-measure.
- Operation possible in inclined positions up to 15° from vertical.

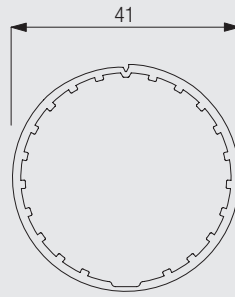


4710

## Profile and Bending Information



10994-5

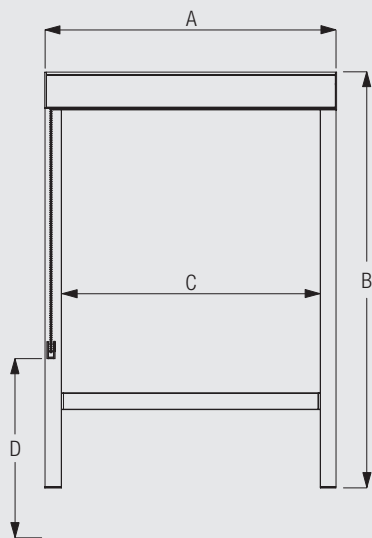


10532



## How to Measure

### Inside fitting

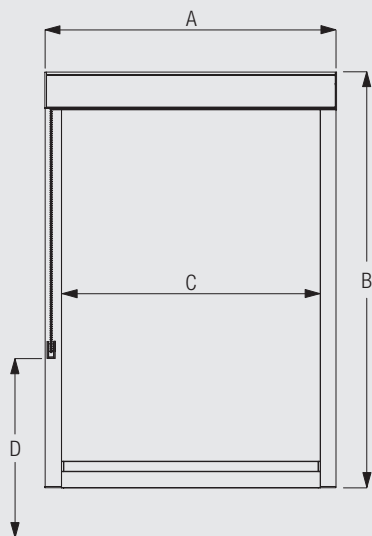


- A: System width
- B: System drop
- C: Fabric width
- D: Safety Retainer 10731 min. 150 cm above floor



4710

### Face fitting



- A: System width
- B: System drop
- C: Fabric width
- D: Safety Retainer 10731 min. 150 cm above floor

## System Dimensions



1.6 m



65 cm



1.6 m



2.5 m<sup>2</sup>

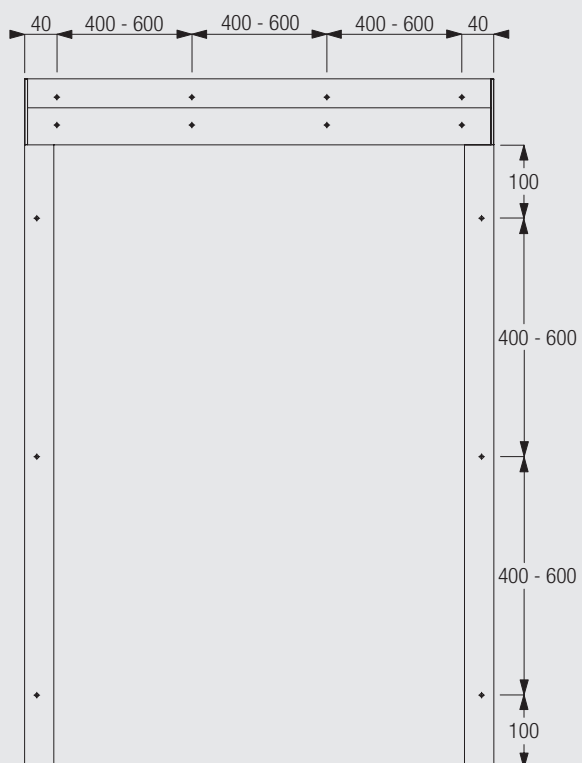


2 kg

Please note: The max. system width/drop also depends on the fabric type.

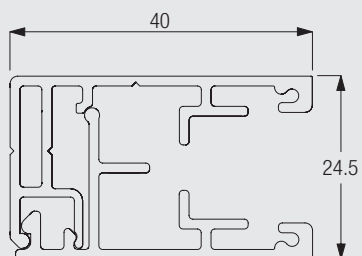
## Fitting Information

### Positioning of drill holes



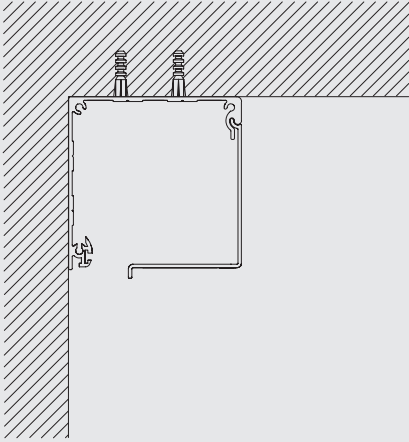
4710

### Side profiles 11001 and 11002

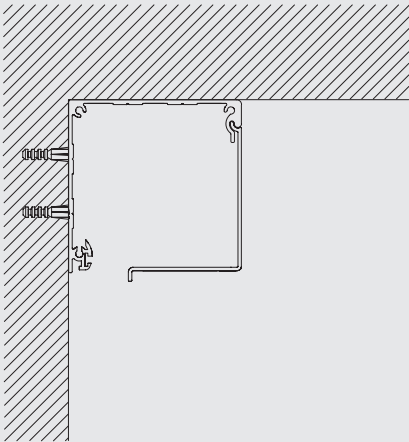


## Fitting Options

### Ceiling fitting with direct mounting

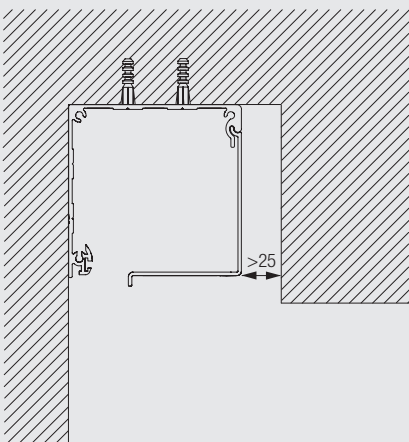


### Wall fitting with direct mounting



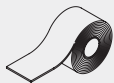
4710

### Recess fitting with direct mounting



## Standard Accessories

4226 Double tape (30 mm)



4508 Brush 5x7



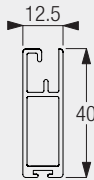
4509	Brush 5x12		10532	Profile	
10668	Strip (10 mm)		10731	Safety retainer set	
10961	Zip profile		10993	Bottom weight	
11001	Side guide case		11002	Side guide cover	
11004	Side cover left for box, 73 mm		11005	Side cover right for box, 73 mm	
11010	Clip for chain drive		11011	Clip for support	
11014	Tube adapter support 41 mm		11015	Tube adapter chain drive 41 mm	
11024	Zip guide		11025	Zip	
11026	Cover left for side guide		11027	Cover right for side guide	
11028	Bottom weight guide left		11029	Bottom weight guide right	
11030	Bottom weight cover		11031	Chain drive (S)	
11040	Stainless steel bead chain (ø 4.5 mm)		10994-5	Box case and cover, 73 mm	



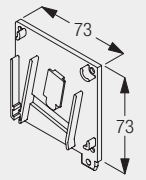
4710

## Useful Measures

10993 Bottom weight



11004 Side cover left for box, 73 mm



[www.silentgliss.at](http://www.silentgliss.at)  
[www.silentgliss-russia.com](http://www.silentgliss-russia.com)  
[www.silentgliss-cee.com](http://www.silentgliss-cee.com)

Silent Gliss GesmbH  
Jochen Rindt Straße 1  
A - 1230 Wien

Tel. + 43 (0) 1 615 02 72  
Fax. + 43 (0) 1 615 02 72-88

Silent Gliss GesmbH  
Showroom/Export  
Stubenring 6  
A – 1010 Wien

Tel. +43 (0) 1 513 16 77  
Fax. +43 (0) 1 513 16 77-88