

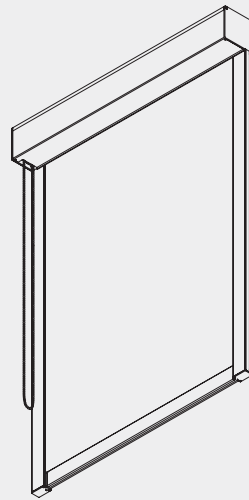
# Dim-Out Blind Systems





## Chain Operated Dim-Out Blind System

# Silent Gliss® 4730 Medium



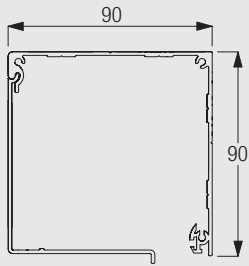
### Product Information

- Technically advanced chain-operated dim-out blind system.
- 90 mm box for applications up to a width of 2.2 m, a height of 2.4 m or surface of 5.3 m<sup>2</sup>.  
Maximum weight load: 3.7 kg.
- Easy click-in side profiles.
- Inside recess or outside recess fitting.
- System available in black or white. Plastic components are black or white in all cases.
- Fabrics are contained within the side profiles by a zip profile.
- Choice of FR blackout fabrics.
- Delivered ready-assembled made-to-measure.
- Operation possible in inclined positions up to 15° from vertical.

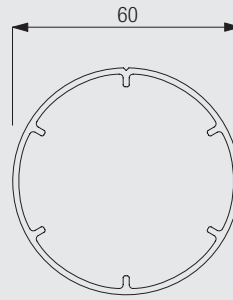


4730

## Profile and Bending Information



10996-7

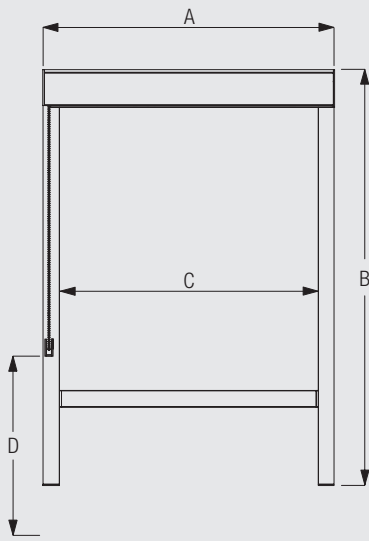


11037



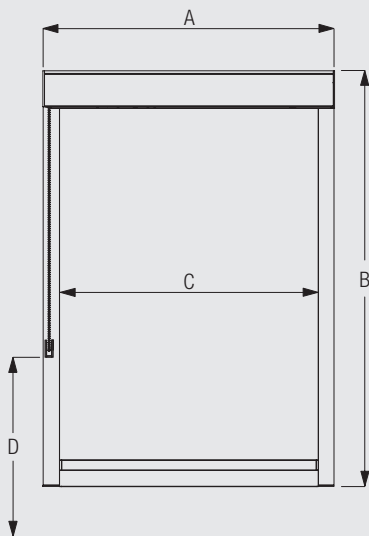
## How To Measure

### Inside fitting



- A: System width
- B: System drop
- C: Fabric width
- D: Safety Retainer 10731 min. 150 cm above floor

### Face fitting



- A: System width
- B: System drop
- C: Fabric width
- D: Safety Retainer 10731 min. 150 cm above floor

## System Dimensions



2.2 m



65 cm



2.4 m



5.3 m<sup>2</sup>

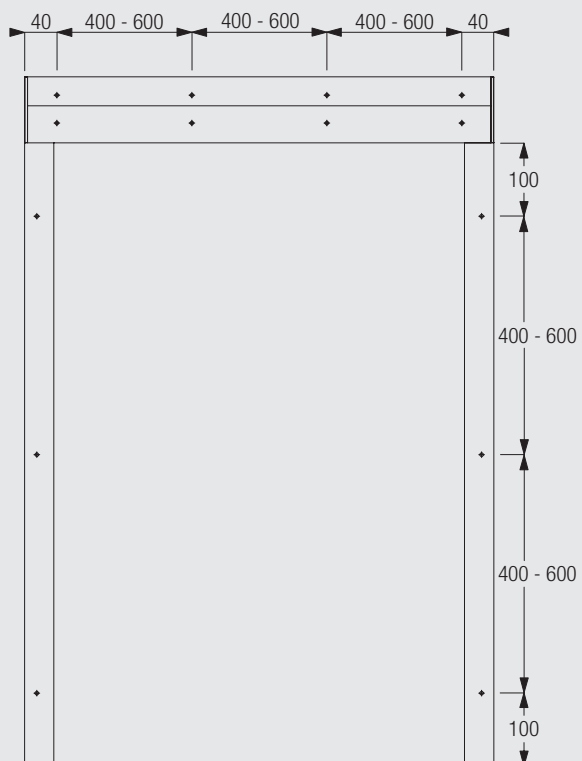


3.7 kg

Please note: The max. system width/drop also depends on the fabric type.

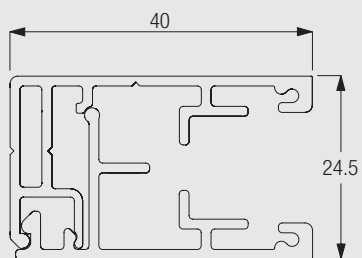
## Fitting Information

### Positioning of drill holes



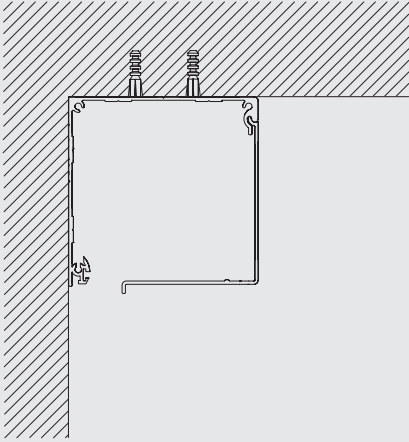
4730

### Side profiles 11001 and 11002

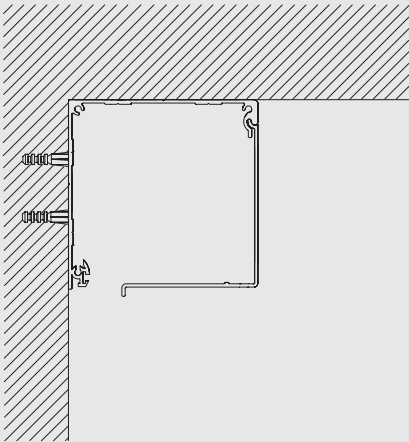


## Fitting Options

### Ceiling fitting with direct mounting

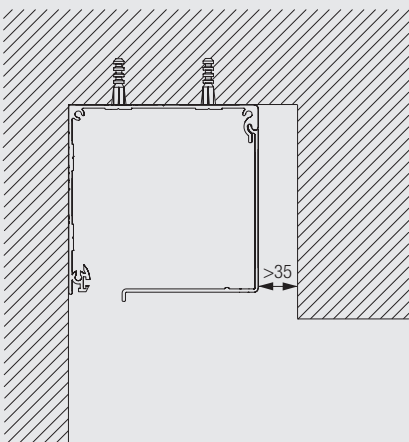


### Wall fitting with direct mounting



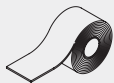
4730

### Recess fitting with direct mounting



## Standard Accessories

4226 Double tape (30 mm)



4508 Brush 5x7

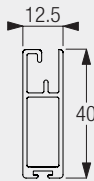


4509	Brush 5x12		10668	Strip (10 mm)	
10731	Safety retainer set		10961	Zip profile	
10993	Bottom weight		11001	Side guide case	
11002	Side guide cover		11006	Side cover left for box, 90 mm	
11007	Side cover right for box, 90 mm		11011	Clip for support	
11012	Clip for chain drive		11017	Tube adapter support 60 mm	
11018	Tube adapter chain drive 60 mm		11024	Zip guide	
11025	Zip		11026	Cover left for side guide	
11027	Cover right for side guide		11028	Bottom weight guide left	
11029	Bottom weight guide right		11030	Bottom weight cover	
11032	Chain drive (M)		11037	Profile tube, 60 mm	
11040	Stainless steel bead chain (ø 4.5 mm)		11050	Spring set left wound 60 mm	
11051	Spring set right wound 60 mm		10996-7	Box case and cover, 90 mm	

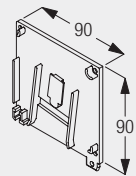
4730

## Useful Measures

10993 Bottom weight



11006 Side cover left for box, 90 mm



[www.silentgliss.at](http://www.silentgliss.at)  
[www.silentgliss-russia.com](http://www.silentgliss-russia.com)  
[www.silentgliss-cee.com](http://www.silentgliss-cee.com)

Silent Gliss GesmbH  
Jochen Rindt Straße 1  
A - 1230 Wien

Tel. + 43 (0) 1 615 02 72  
Fax. + 43 (0) 1 615 02 72-88

Silent Gliss GesmbH  
Showroom/Export  
Stubenring 6  
A – 1010 Wien

Tel. +43 (0) 1 513 16 77  
Fax. +43 (0) 1 513 16 77-88