

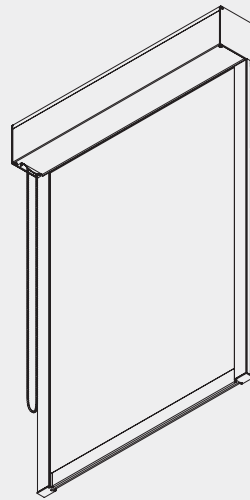
Dim-Out Blind Systems





Chain Operated Dim-Out Blind System

Silent Gliss® 4740 Large



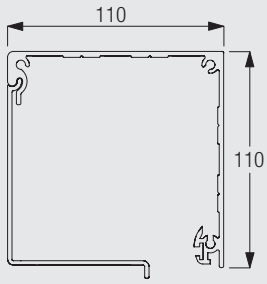
Product Information

- Technically advanced chain-operated dim-out blind system.
- 110 mm box for applications up to a width of 3 m, a height of 3 m or surface of 9 m².
Maximum weight load: 6 kg.
- Easy click-in side profiles.
- Inside recess or outside recess fitting.
- System available in black or white. Plastic components are black or white in all cases.
- Fabrics are contained within the side profiles by a zip profile.
- Choice of FR blackout fabrics.
- Delivered ready-assembled made-to-measure.
- Operation possible in inclined positions up to 15° from vertical.



4740

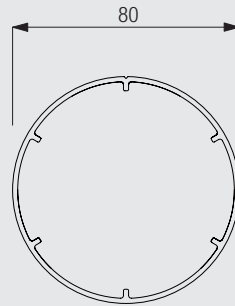
Profile and Bending Information



10998-9



Not bendable



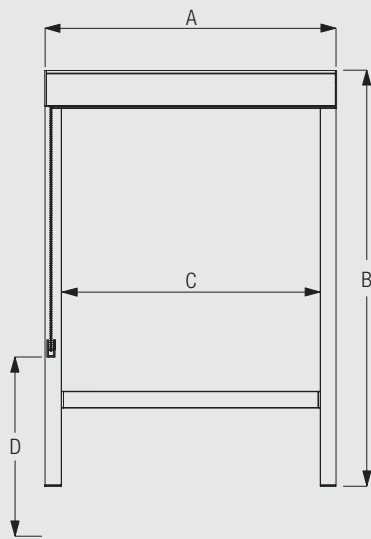
11003



Not bendable

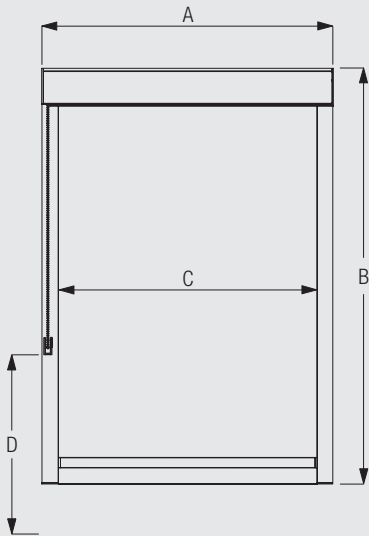
How To Measure

Inside fitting



- A: System width
- B: System drop
- C: Fabric width
- D: Safety Retainer 10731 min. 150 cm above floor

Face fitting



- A: System width
- B: System drop
- C: Fabric width
- D: Safety Retainer 10731 min. 150 cm above floor

System Dimensions



3 m



65 cm



3 m



9 m²



6 kg

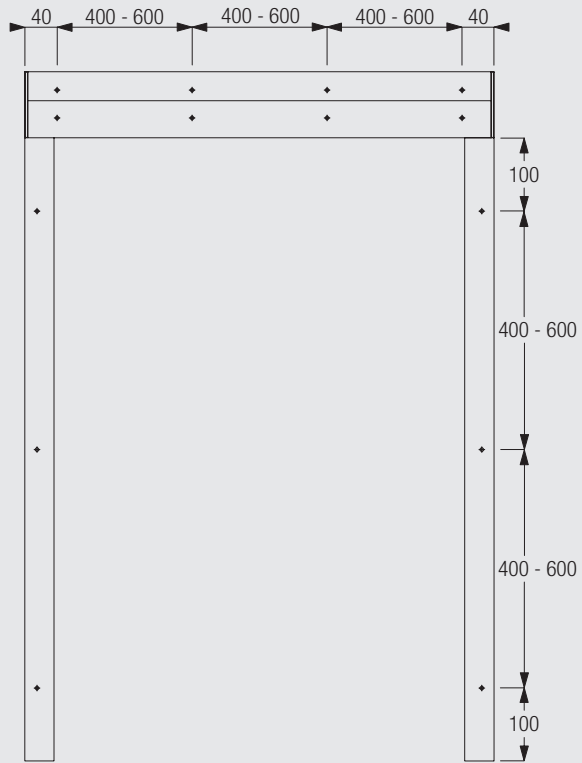
Please note: The max. system width/drop also depends on the fabric type.



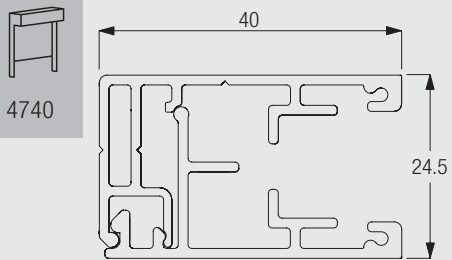
4740

Fitting Information

Positioning of drill holes

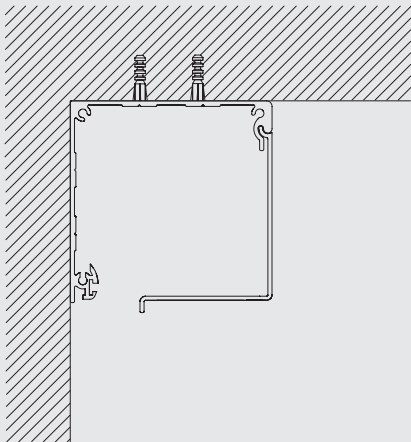


Side profiles 11001 and 11002

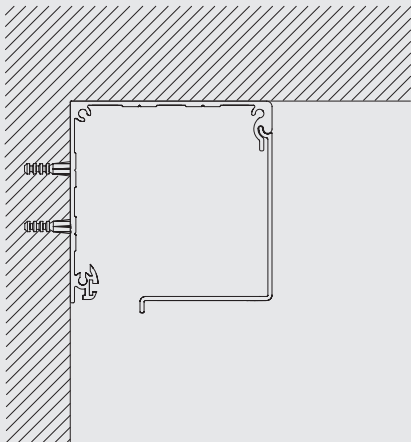


Fitting Options

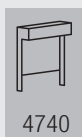
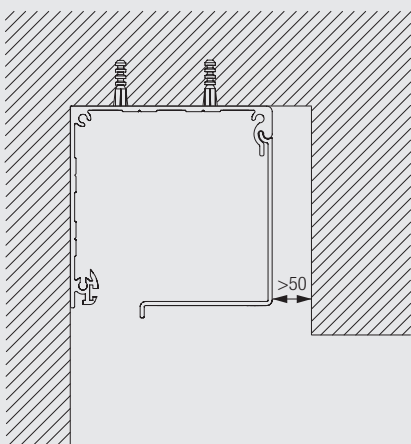
Ceiling fitting with direct mounting



Wall fitting with direct mounting



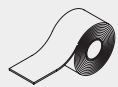
Recess fitting with direct mounting



4740

Standard Accessories

4226 Double tape (30 mm)



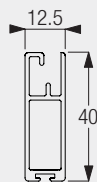
4508 Brush 5x7



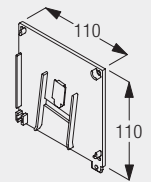
4509	Brush 5x12		10668	Strip (10 mm)	
10731	Safety retainer set		10961	Zip profile	
10993	Bottom weight		11001	Side guide case	
11002	Side guide cover		11003	Profile tube, 80 mm	
11008	Side cover left for box, 110 mm		11009	Side cover right for box, 110 mm	
11011	Clip for support		11012	Clip for chain drive	
11020	Tube adapter support 80 mm		11021	Tube adapter chain drive 80 mm	
11024	Zip guide		11025	Zip	
11026	Cover left for side guide		11027	Cover right for side guide	
11028	Bottom weight guide left		11029	Bottom weight guide right	
11030	Bottom weight cover		11033	Chain drive (L)	
4740	11040	Stainless steel bead chain (ø 4.5 mm)	11052	Spring set left wound 80 mm	
	11053	Spring set right wound 80 mm	10998-9	Box case and cover, 110 mm	

Useful Measures

10993 Bottom weight



11008 Side cover left for box, 110 mm





4740



4740



4740

www.silentgliss.at
www.silentgliss-russia.com
www.silentgliss-cee.com

Silent Gliss GesmbH
Jochen Rindt Straße 1
A - 1230 Wien

Tel. + 43 (0) 1 615 02 72
Fax. + 43 (0) 1 615 02 72-88

Silent Gliss GesmbH
Showroom/Export
Stubenring 6
A – 1010 Wien

Tel. +43 (0) 1 513 16 77
Fax. +43 (0) 1 513 16 77-88