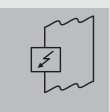


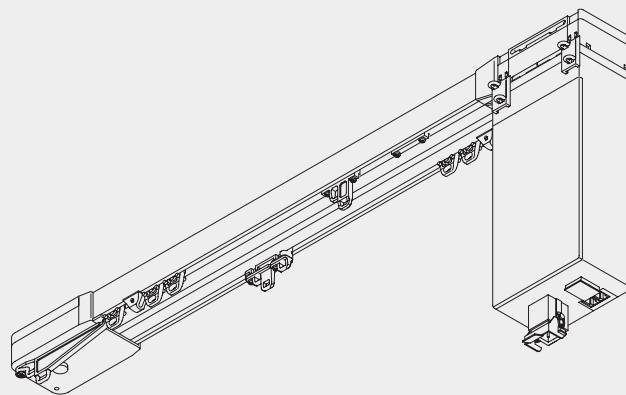
Electric Curtain Track Systems





Electric Curtain Track System

Silent Gliss® 5300



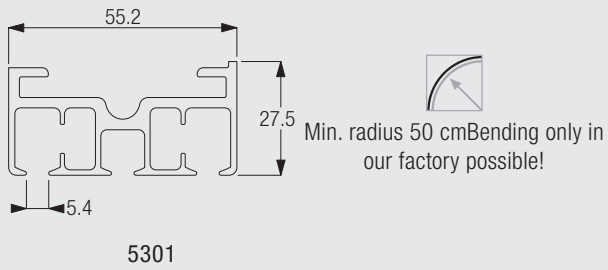
Product Information

- Motorised 3-channel curtain track system for contract as well as residential applications.
- Versatile bending possibilities even for such a heavy-duty system thanks to the specially designed cylinder drive belt giving strength with reduced friction.
- For medium-heavy to heavy applications.
- Easy ceiling or wall fix. Recess fixing possible.
- The motors can also be mounted above the profile.
- Standard colours: anodised aluminium or white powder coated.
- Smooth, silent and fast operation (30cm/sec) with roller gliders.
- Each system will be delivered ready to measure fully assembled.
- Applicable for single, pair and multiple stackings of curtains (symmetrical as well as asymmetrical).

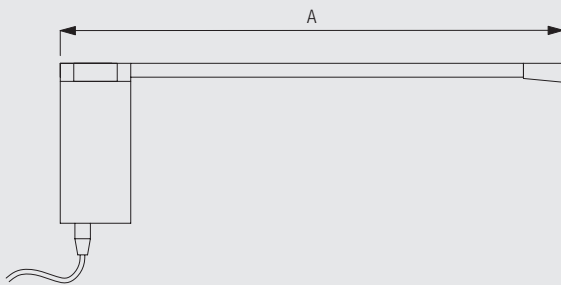


5300

Profile and Bending Information



How to measure



A: system width

System Dimensions



25 m



74 kg

Max. Curtain Weight Chart

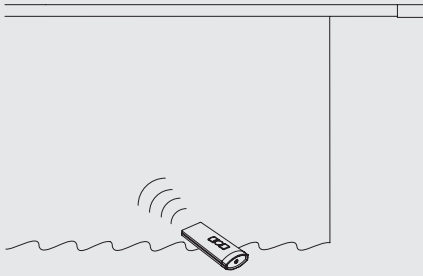
	3 m	6 m	9 m	12 m	15 m	20 m	25 m
	54	74	69	64	60	53	45
	54	74	69	64	60	53	45
	45	46	45	42	39	35	30
	45	46	45	42	39	35	30
	43	41	38	36	33	28	25
	43	41	38	36	33	28	25
	30	27	23	20	16	-	-
	30	27	23	20	16	-	-
	40	37	35	32	-	-	-
	40	38	35	32	-	-	-

(kg max.)

It is essential with electrically-operated curtain tracks to choose a system which can readily cope with the specific demands to be placed on it. The most crucial factor is the total weight of the curtains to be transported by it but then come further questions such as how the curtains are to stack, are there bends involved, ceiling or wall fix, the type of curtain heading etc.

System Options

Radio Remote Control System Silent Gliss 9940

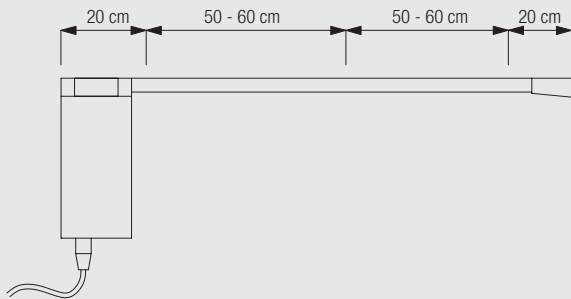


Combined with the Radio Remote Control System Silent Gliss 9940, this system offers maximum comfort with minimum wiring. For further details, please refer to catalogue section "Motors & Controls".

Fitting Information

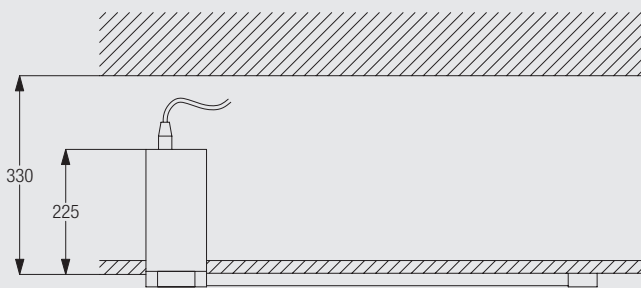
For all electrically operated curtain track systems, a connection point should be made available at a distance of no greater than 1 metre from the motor. This should be discreetly situated behind the curtain taking care that the motor will not obstruct access to the socket.

Bracket and Profile Positioning



The final distances from the wall depend on curtain weight, make-up and any obstructions.

Motors can be recessed in hollow ceilings



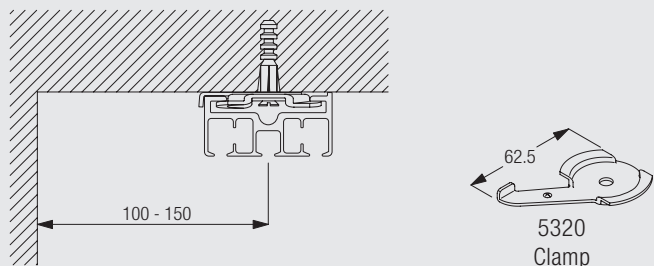
With profile surface mounted on the ceiling.

When the system is to be fitted to the ceiling (recommended in most cases), the surface must be absolutely flat. Any unevenness will cause problems in fitting the clamps and will almost certainly affect the functioning of the system.



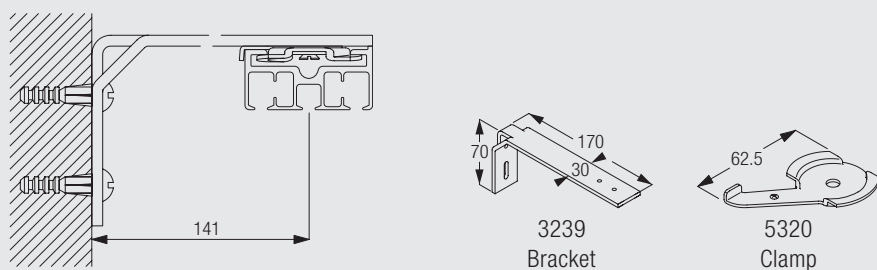
5300

Ceiling fitting with clamp 5320

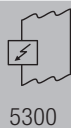


The final distances from the wall depend on curtain weight, make-up and any obstructions.

Wall fitting with bracket 3239 and clamp 5320



Standard Accessories



5300

3581 Hook



5320 Clamp



6086 Spring stop

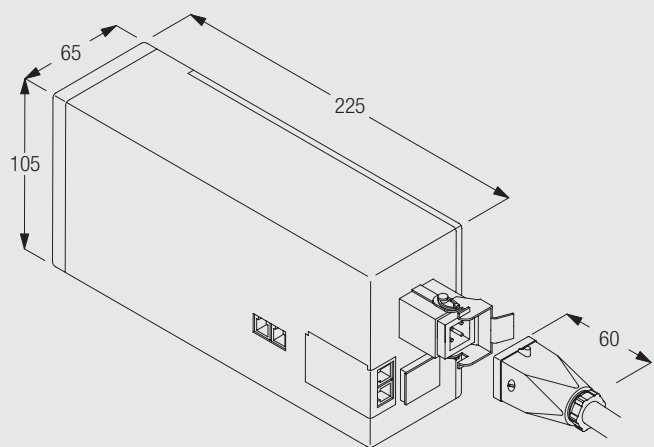


6098 Roller



Motor & Controls

Motor Silent Gliss 5360

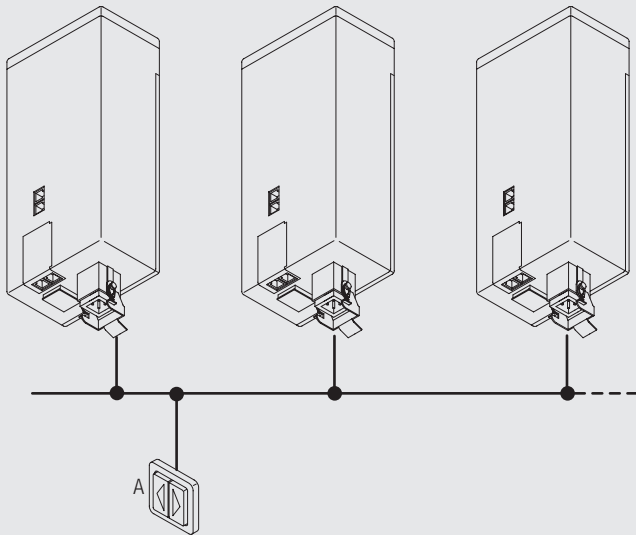


- Supplier: MicroMotor / Silent Gliss
- Torque: 5 Nm
- Voltage: 230 V / 115 V / 100 V
- Frequency: 50 Hz / 60 Hz / 50 Hz
- Power: 200 W / 205 W / 160 W
- Current: 0.82 A / 1.75 A / 1.60 A
- Speed: 90 rpm / 110 rpm / 90 rpm
- Thermal overload protection
- CEE Standard
- Electronical end stop
- Weight: 2.3 kg

The Silent Gliss 5360 motor is an interference-free asynchronous motor, designed to offer advanced features. Multiple motors can be individually and/or simultaneously controlled with cost effective and simple low voltage wiring (no relays). The entire motor is hidden behind the curtain.

Operating Methods

Combination of wall switch and multiple motors (Mains)

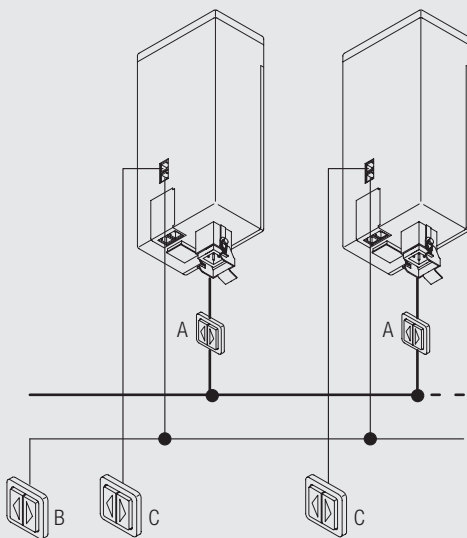


A: The “Open-Close” function can be operated by feeler or maintained switch (230V/115V).

Electronic operation with “Open-Close” at any desired position.

Up to 15 systems can be operated without relays.

Combination of wall switch and multiple motors (Low Voltage)



A: High voltage current 230V/115V mains individual

B: Low Voltage (potential-free) simultaneous

C: Low Voltage (potential-free) individual

Using low voltage connections, it is possible to operate one or several motors individually or simultaneously.

Electronic operation with “Open-Close” at any desired position.



5300

Radio Remote Control System Silent Gliss 9940

Wiring and Connections

Important: Connection-diagram can be download through Silent Gliss Extranet / Downloads

www.silentgliss.at
www.silentgliss-russia.com
www.silentgliss-cee.com

Silent Gliss GesmbH
Gewerbestraße 6
A - 6710 Nenzing
Tel. + 43 (0) 5525 64 111
Fax. + 43 (0) 5525 63 170

Silent Gliss GesmbH
Jochen-Rindt-Straße 1
A - 1230 Wien
Tel. + 43 (0) 1 615 02 72
Fax. + 43 (0) 1 615 02 72-88

Silent Gliss GesmbH
Vertriebsbüro / Showroom
Stubenring 6
A – 1010 Wien
Tel. +43 (0) 1 513 16 77
Fax. +43 (0) 1 513 16 77-88