

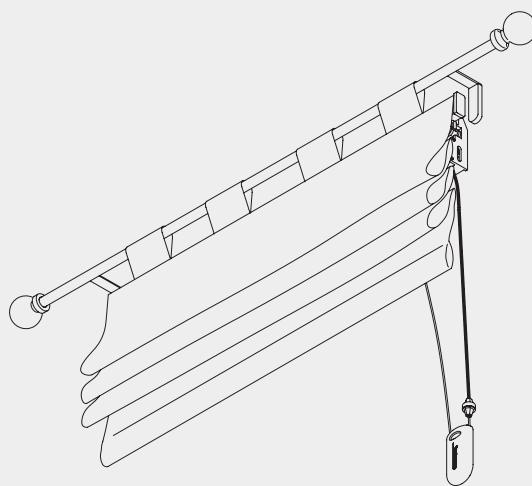
Roman Blind Systems





Cord Operated Roman Blind System

Silent Gliss® 2010



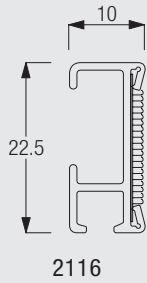
Product Information

- Cord operated Roman blind system for residential and contract applications.
- Suitable for light and medium weight blinds.
- An innovation combining a roman blind and a curtain pole system.
- A unique suspension system attached to the fabric of the roman blind, leaving the blind to hang freely from any new or existing curtain pole.
- Patented cord lock enables movement of blind up and down vertically
- Fabric can be easily removed from headrail for washing/maintenance.
- Maximum dimensions are 180 cm for the width and 300 cm for the height.
- The weight of the blind including the bottom weight and cross rods (if hard fold) should never exceed 2 kg (with eyelet 2261)
- The top stack of the fabric takes up about 10-15% of the blind drop (depending on fabric make-up).
- Large and attractive fabric offer.
- Easy ceiling or wall fix to all surfaces.
- Delivered ready assembled.



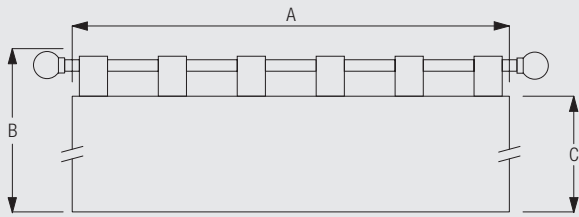
2010

Profile and Bending Information



Only for straight systems.

How to measure



A: System width (= fabric width)
B: Height of complete system (incl. pole system)
C: Fabric height (without tabs, rings, etc.)

System Dimensions



1,80 m



3 m



1,5 kg
with sewn-in eyelet 2097
2 kg
with "click in"-eyelet
2261

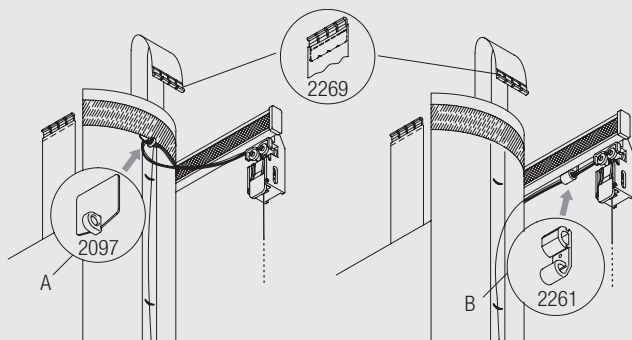


2010

The system dimensions depend on the total fabric weight including the bottom weight bar.

System Options

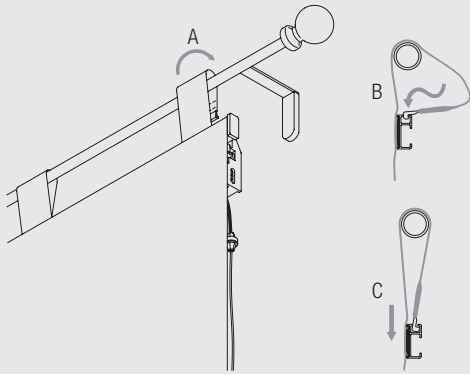
Tab-Top Heading



A: With sewn-in eyelet 2097 (up to 1.5kg total weight)
B: With click-in eyelet 2261 (up to 2 kg total weight)
Click-in hook 2269 is needed for this option.

Fitting Information

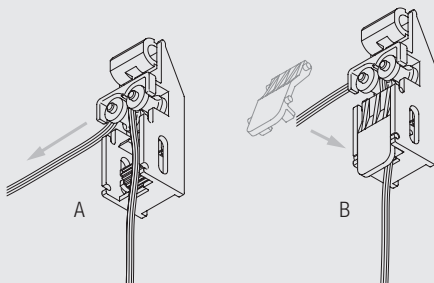
Use of click-in plate 2269 for tab top heading option



- A: Hang tab over the pole
- B: Click in plate 2269 into profile 2116 "upside down"
- C: Tighten curtain downwards

This feature makes removal of roman curtain from pole system very easy.



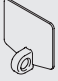
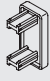



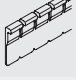

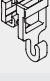




Insertion of cords in cord lock 2265



Patented vertical operated cord lock with easy cord insertion feature:

- A: Open cover
- B: Insert cords
- B: Close cover

Standard Accessories

2004	Weight bar		2093	Ring	
2097	Eyelet up to 1,5 kg		2131	Endcover	
2132	Cord Connector		2261	Eyelet up to 2,0 kg	
2265	Cord lock		2269	"Click in"-Hook	
2539	Tape		3055	Hook	
3074	Loop tape (delivery only with fabric)		3090	Cord (ø 3.5mm)	
3340	Cord/Chain weight		3637	Cord	



2010



2010



2010

www.silentgliss.at
www.silentgliss-russia.com
www.silentgliss-cee.com

Silent Gliss GesmbH
Gewerbestraße 6
A - 6710 Nenzing
Tel. + 43 (0) 5525 64 111
Fax. + 43 (0) 5525 63 170

Silent Gliss GesmbH
Jochen-Rindt-Straße 1
A - 1230 Wien
Tel. + 43 (0) 1 615 02 72
Fax. + 43 (0) 1 615 02 72-88

Silent Gliss GesmbH
Vertriebsbüro / Showroom
Stubenring 6
A – 1010 Wien
Tel. +43 (0) 1 513 16 77
Fax. +43 (0) 1 513 16 77-88