

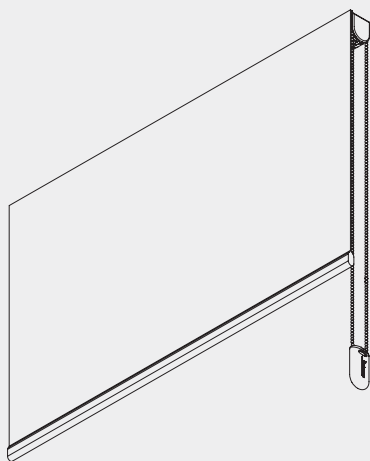
Roman Blind Systems





Roman Blind System

Silent Gliss® 2320



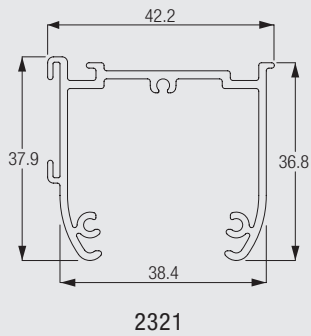
Product Information

- Chain operated Roman blind system for residential and contract applications.
- Suitable for small to medium size applications.
- New wind-up technique.
- Very elegant appearance as all technique is hidden in an elegant cassette.
- Easy cleaning / maintenance through new cord release mechanism.
- Extremely smooth and easy operation.
- Blind stops at any required height without slippage.
- Maximum dimension 300 cm for the width, and 300 cm for the height.
- The weight of the blind including the bottom weight and cross rods (if hard fold) should not exceed 2.5kg.
- Easy ceiling or wall fix to all surfaces.
- Delivered ready assembled.
- Large and attractive fabric offer.
- Side guide option available up to max. 15°.



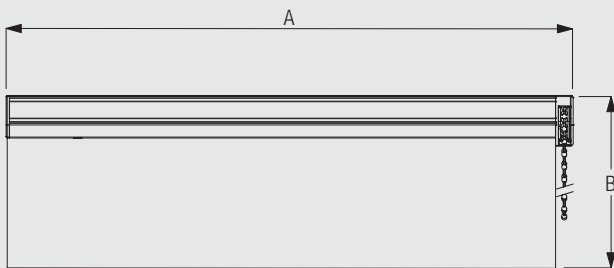
2320

Profile and Bending Information



Only for straight systems.

How to Measure



A: System width
B: System height

System Dimensions



3,0 m



3,0 m



2,5 kg



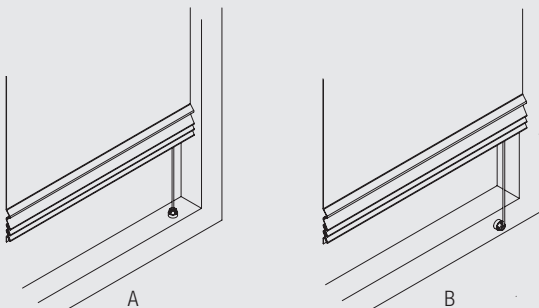
2320

The system dimensions depend on the total fabric weight including the bottom weight bar and the cross rods (if hard fold).

For applications with a total weight of more than 2.5kg, refer to system 2330.

System Option

Side guides for stabilizing and sloping applications (up to max. 15°)

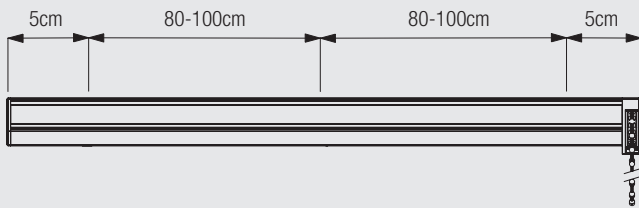


A: Fitting of side guides inside window frame
B: Fitting of side guides onto front of window frame

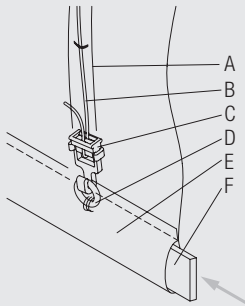
The system Silent Gliss 2320 can be equipped with side-guide wires and can therefore also be used for sloping applications up to 15° inclination.

Fitting and Sewing Information

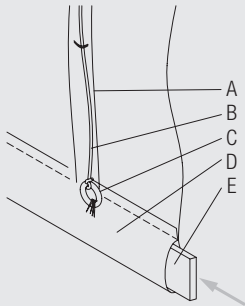
Bracket Positioning



Fixing of Cords



- A: 3540 Loop tape
- B: 2216 Cord 2216
- C: 3055 Hook 3055
- D: 2093 Ring 2093
- E: Hollow hem
- F: 2004 Bottom weight bar

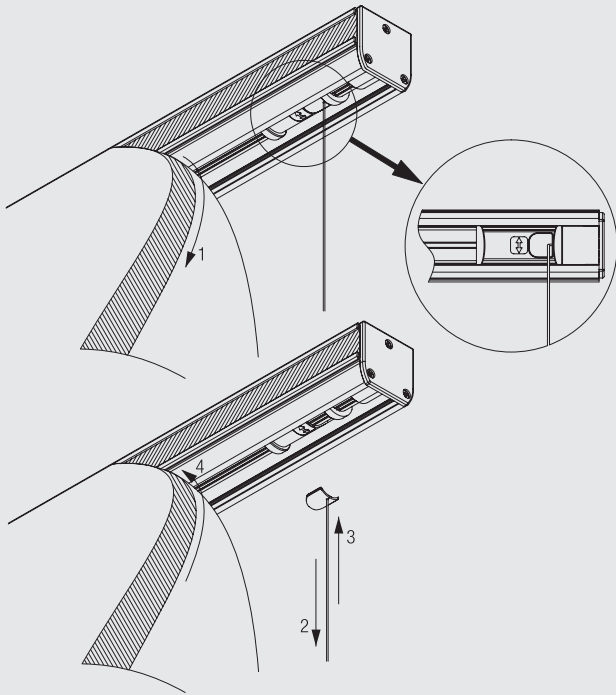


- A: 3540 loop tape
- B: 2216 Cord
- C: 2093 Ring
- D: Hollow hem
- E: 2004 Bottom weight bar



2320

Easy Washing / Easy Maintenance through Cord Release Mechanism

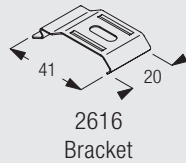
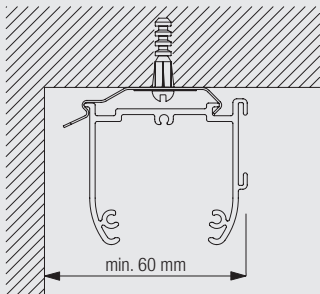


With the new developed cord release mechanism, taking down of the fabric becomes as easy as never:

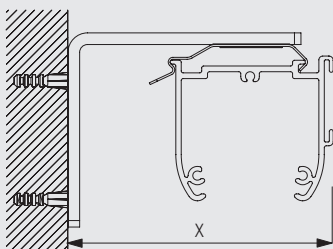
- 1: Remove fabric from Velcro in down position of blind
- 2: Take off the pins by pulling on the lift cord
- 3: After washing, just press pins back to the shell
- 4: Refix fabric to the Velcro tape on profile

Fitting Options

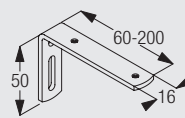
Ceiling fitting with bracket 2616



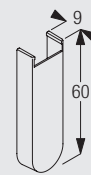
Wall fitting with brackets 3134-39 and bracket 2616



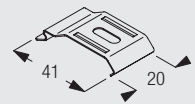
	X (mm)
3134	70-76
3135	90-96
3136	110-116
3137	130-136
3138	160-166
3139	210-216



3134-39
Brackets



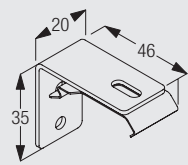
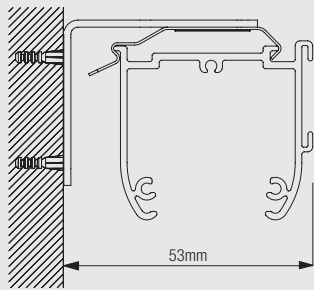
3133
Bracket cover



2616
Bracket

The final distances from the wall depend on curtain make-up and any obstructions.





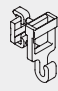
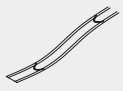

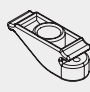

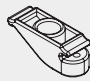
Wall/ceiling fitting with wall/ceiling bracket 2343



2343
Wall/Ceiling Bracket

The final distances from the wall depend on curtain make-up and any obstructions.

Standard Accessories

2093	Ring		2216	Cord		
2322	Pin		2539	Tape		
3055	Hook		3074	Loop tape (delivery only with fabric)		
3340	Cord/Chain weight					
2338	Wire Holder	2		8235	Wire base short	 2320
2338	Wire Holder	2		8236	Wire base long	

www.silentgliss.at
www.silentgliss-russia.com
www.silentgliss-cee.com

Silent Gliss GesmbH
Gewerbestraße 6
A - 6710 Nenzing
Tel. + 43 (0) 5525 64 111
Fax. + 43 (0) 5525 63 170

Silent Gliss GesmbH
Jochen-Rindt-Straße 1
A - 1230 Wien
Tel. + 43 (0) 1 615 02 72
Fax. + 43 (0) 1 615 02 72-88

Silent Gliss GesmbH
Vertriebsbüro / Showroom
Stubenring 6
A – 1010 Wien
Tel. +43 (0) 1 513 16 77
Fax. +43 (0) 1 513 16 77-88