

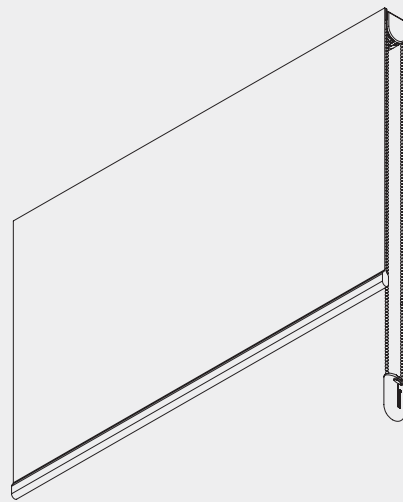
# Roman Blind Systems





## Roman Blind System

# Silent Gliss® 2330



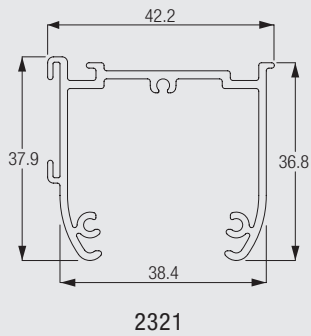
### Product Information

- Chain operated roman blind system for residential and contract applications.
- Suitable for small to medium size applications.
- New wind-up technique.
- Very elegant appearance as all technique is hidden in an elegant cassette.
- Easy cleaning / maintenance through new cord release mechanism.
- Extremely smooth and easy operation even in large dimensions thanks the gearing with 4:1 ratio.
- Blind stops at any required height without slippage.
- Maximum dimension 300 cm for the width, and 300 cm for the height.
- The weight of the blind including the bottom weight and cross rods (if hard fold) should not exceed 4.5kg.
- Easy ceiling or wall fix to all surfaces.
- Delivered ready assembled. Large and attractive fabric offer.
- Side guide option available up to max. 15°.



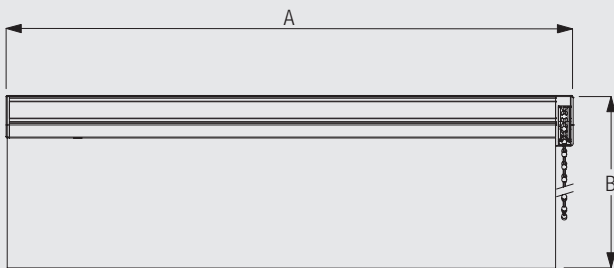
2330

## Profile and Bending Information



Only for straight systems.

## How to Measure



A: System width  
B: System height

## System Dimensions



3,0 m



3,0 m



4,5 kg



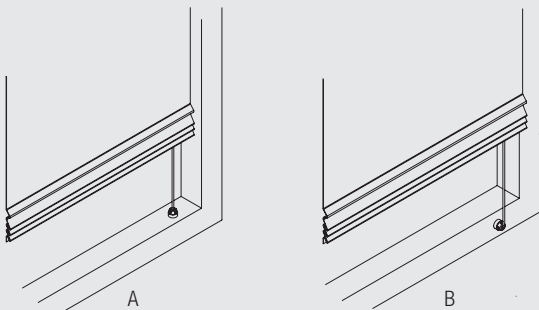
2330

The system dimensions depend on the total fabric weight including the bottom weight bar and the cross rods (if hard fold).

A gear drive (2326) will be built in. This will slow down the up/down movement of the blind (ratio 4:1), but ensures a comfortable operation for the user.

## System Option

Side guides for stabilizing and sloping applications (up to max. 15°)

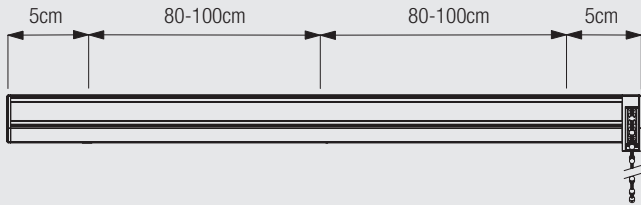


A: Fitting of side guides inside window frame  
B: Fitting of side guides onto front of window frame

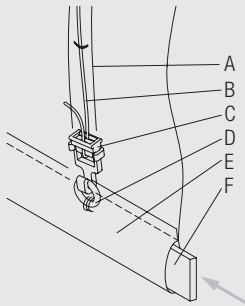
The system Silent Gliss 2330 can be equipped with side-guide wires and can therefore also be used for sloping applications up to max. 15° inclination.

## Fitting and Sewing Information

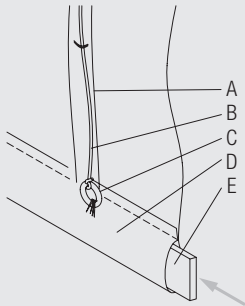
### Bracket Positioning



### Fixing of Cords



- A: 3540 Loop tape
- B: 2216 Cord
- C: 3055 Hook
- D: 2093 Ring
- E: Hollow hem
- F: 2004 Bottom weight bar

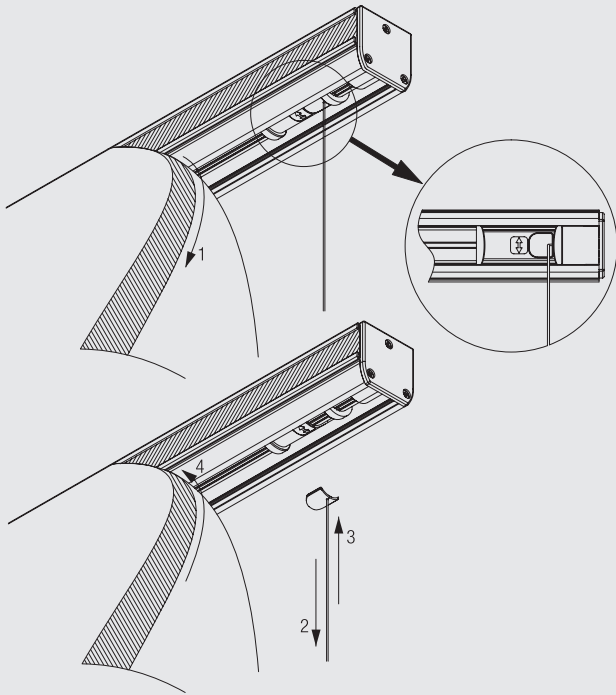


- A: 3540 Loop tape
- B: 2216 Cord
- C: 2093 Ring
- D: Hollow hem
- E: 2004 Bottom weight bar



2330

## Easy Washing / Easy Maintenance through Cord Release Mechanism

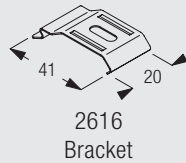
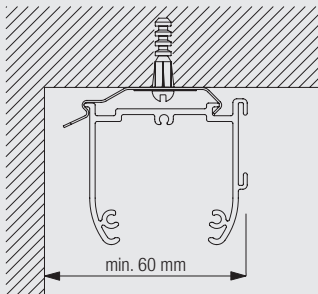


With the new developed cord release mechanism, taking down of the fabric becomes as easy as never:

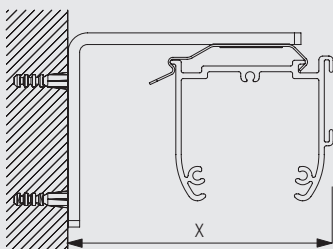
- 1: Remove fabric from Velcro in down position of blind
- 2: Take off the pins by pulling on the lift cord
- 3: After washing, just press pins back to the shell
- 4: Refix fabric to the Velcro tape on profile

## Fitting Options

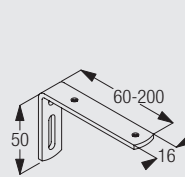
### Ceiling fitting with bracket 2616



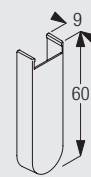
### Wall fitting with brackets 3134-39 and bracket 2616



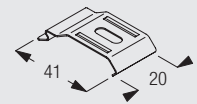
	X (mm)
3134	70-76
3135	90-96
3136	110-116
3137	130-136
3138	160-166
3139	210-216



3134-39  
Brackets



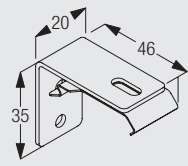
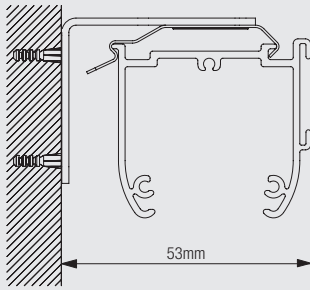
3133  
Bracket cover



2616  
Bracket

The final distances from the wall depend on curtain make-up and any obstructions.





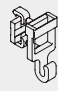
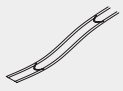

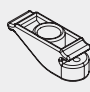

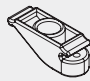
## Wall/ceiling fitting with wall/ceiling bracket 2343



2343  
Wall/Ceiling Bracket

The final distances from the wall depend on curtain make-up and any obstructions.

### Standard Accessories

2093	Ring		2216	Cord			
2322	Pin		2539	Tape			
3055	Hook		3074	Loop tape (delivery only with fabric)			
3340	Cord/Chain weight						
2338	Wire Holder		2		8235	Wire base short	
2338	Wire Holder		2		8236	Wire base long	2330

[www.silentgliss.at](http://www.silentgliss.at)  
[www.silentgliss-russia.com](http://www.silentgliss-russia.com)  
[www.silentgliss-cee.com](http://www.silentgliss-cee.com)

Silent Gliss GesmbH  
Gewerbestraße 6  
A - 6710 Nenzing  
Tel. + 43 (0) 5525 64 111  
Fax. + 43 (0) 5525 63 170

Silent Gliss GesmbH  
Jochen-Rindt-Straße 1  
A - 1230 Wien  
Tel. + 43 (0) 1 615 02 72  
Fax. + 43 (0) 1 615 02 72-88

Silent Gliss GesmbH  
Vertriebsbüro / Showroom  
Stubenring 6  
A – 1010 Wien  
Tel. +43 (0) 1 513 16 77  
Fax. +43 (0) 1 513 16 77-88