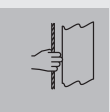


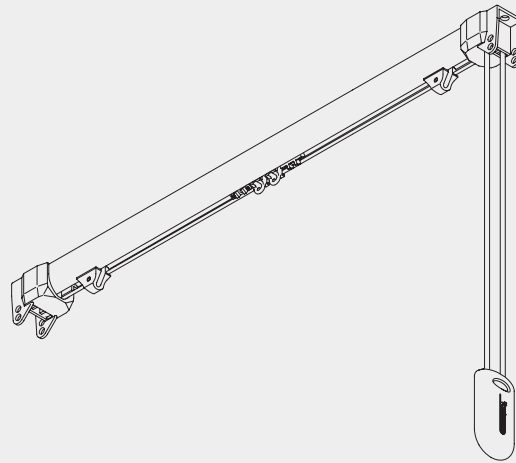
Cord Operated Curtain Track Systems





Cord Operated Curtain Track System

Silent Gliss® 3840



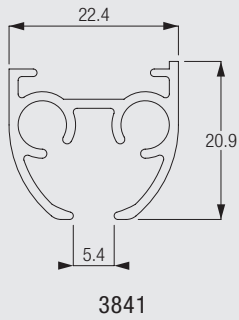
Product Information

- Cord operated curtain track for residential and contract applications.
- Due to same appearance from both side, it can also be used as a room divider.
- For medium weight curtains.
- Maximum system width 6 m. Exact dimensions depend on fabric weight and application.
- For straight and bended applications with single, double or multiple symmetrical stacks.
- Standard colours: anodised aluminium or white powder coated.
- Standard length of the profiles is 6 m.
- System is designed for ceiling fixing.
- Delivered ready assembled. Large and attractive fabric offer.
- All regular curtain heading systems as well as Wave and Wave XL options apply with Silent Gliss 3840.



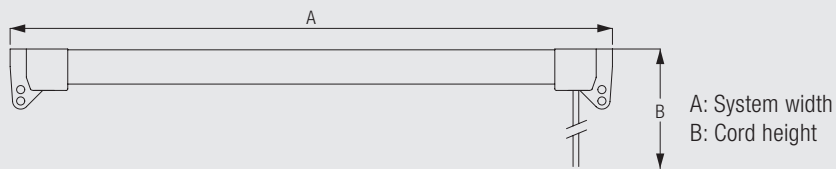
3840

Profile and Bending Information

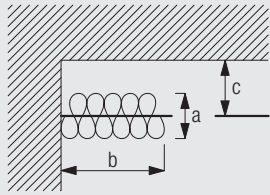


Min. radius 20 cm
Wave XL: Min. radius 50 cm

How to measure



Stack size calculation Wave XL



a = Stack depth 35 cm
b = Stack size
c = Min. distance 22 cm

System width		77-107	108-143	144-179	180-215	216-251	252-287	288-323	324-359	360-395
	b	28	33	38	43	48	53	58	63	68
System width		396-431	432-468	469-503	504-539	540-575	576-600			
	b	73	78	83	88	93	98			
System width		154-217	218-289	290-361	362-433	434-505	506-577	578-600		
	b	28	33	38	43	48	53	58		

(dimensions in cm)

3840

System Dimensions



6 m



14 kg

Max. Curtain Weight Charts

Roller Glider 6283

	1 m	2 m	3 m	4 m	5 m	6 m
	12	12	11	11	10	10
	14	14	13	13	12	12
	9	9	8	8	7	7
	10	10	9	9	8	8
	6	6	5	5	4	4
	7	7	6	6	5	5
	5	5	4	4	3	3
	6	6	5	5	4	4

(kg max.)

Glider 6096/6083

	1 m	2 m	3 m	4 m	5 m	6 m
	9	9	8	8	7	7
	10	10	9	9	8	8
	7	7	6	6	5	5
	8	8	7	7	6	6
	4	4	3	3	2	2
	5	5	4	4	3	3
	3	3	2	2	1	1
	4	4	3	3	2	2

(kg max.)

Max. Curtain Weight Chart Wave / Wave XL

Option Wave / Wave XL

	2 m	3 m	4 m	5 m	6 m
	5	7.5	8	7	7
	5	7.5	8	8	8
	5	6	6	5	5
	5	6	6	6	6
	4	3	3	2	2
	4	4	4	3	3
	3	2	2	1	1
	3	3	3	2	2

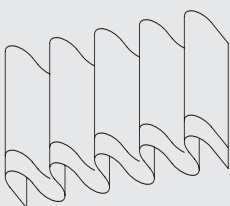
(load limitation max. 2.5 kg per m)



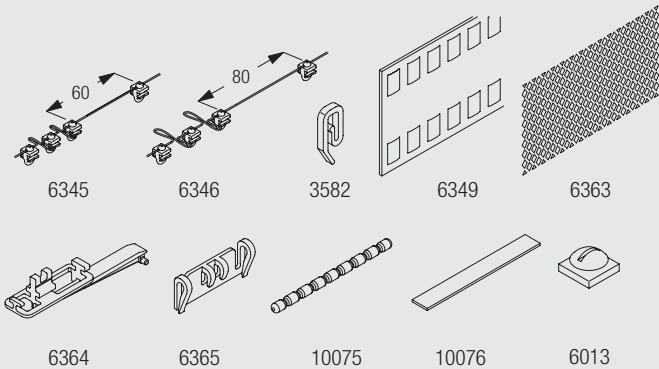
3840

System Options

Wave curtain heading system



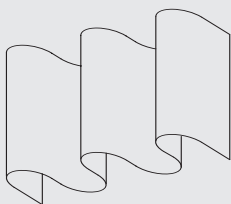
Wave is an exciting contemporary curtain heading system which allows curtains to hang in a continuous wave which is smooth, simple and elegant.



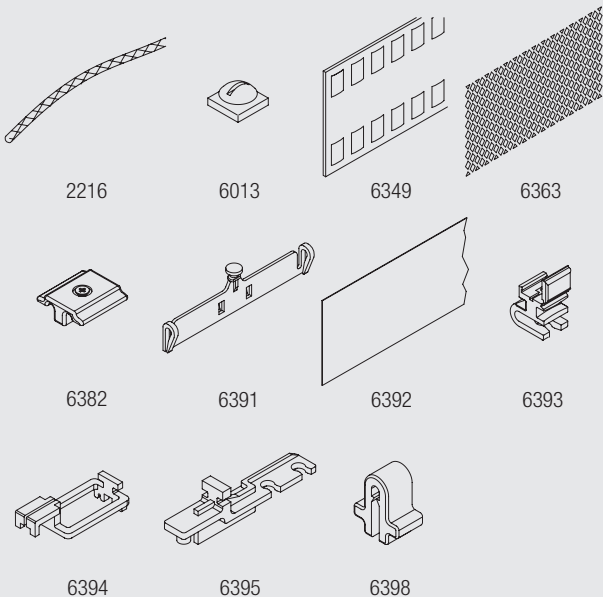
The Wave components are:

- 3582 - Hook
- 6013 - Endstop
- 6345 - Glider cord 60 mm
- 6346 - Glider cord 80 mm
- 6349 - Curtain tape
- 6363 - Iron tape
- 6364 - Extension
- 6365 - Hanger
- 6366 - Carrier for draw rod
- 10075 - Lead weight 50 gr/m
- 10076 - Fabric weight
- 2255 - Brake comb.

Wave XL curtain heading system



Wave XL is especially designed for high and large application areas through generously designed waves with large cross section dimensions.

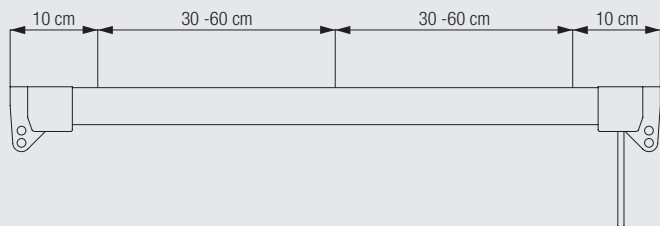


The Wave XL components are:

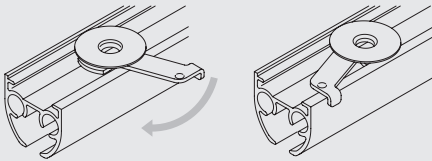
- 2216 Cord 0,85 mm
- 6013 Endstop
- 6349 Curtain tape
- 6363 Iron tape
- 6391 Hanger
- 6392 Heading film
- 6393 Glider
- 6395 Extension
- 6398 Clip
- 6399 Carrier for draw rod
- 2255 Brake comb.

Fixing Points / Fitting Information

Bracket Positioning



Fitting with clamp 3825

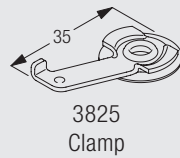
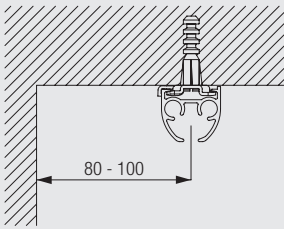


Higher edge of profile to the room side / clamp arm to the window.

Fitting Options

CAD download through Silent Gliss Extranet / Downloads

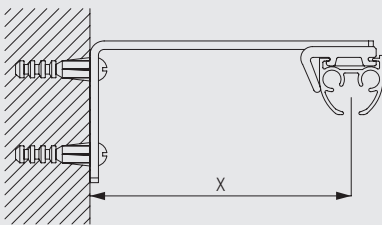
Ceiling fitting with clamp 3825



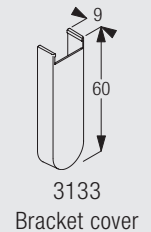
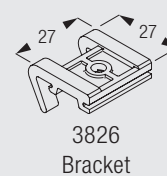
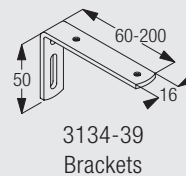
The final distances from the wall depend on curtain weight, make-up and any obstructions.

Min. distance from wall to middle of profile when using Wave XL: 22 cm.

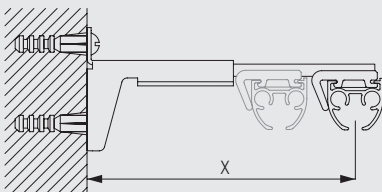
Wall fitting with brackets 3134-39 and bracket 3826



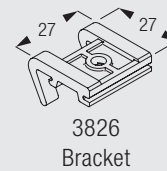
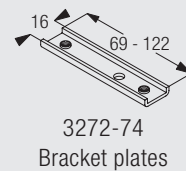
	X (mm)
3134	52
3135	72
3136	92
3137	112
3138	142
3139	192



Wall fitting with adjustable bracket support 3271, bracket plates 3272-74 and bracket 3826



	X (mm)
3271/3272	73-108
3271/3273	95-125
3271/3274	125-155



Standard Accessories

3340 Cord/Chain weight



3599 Hook



6086 Spring stop



6283 Roller



Optional Accessories

3581 Hook



3582 Hook



3598 Eyelet



6057 Glider



6065 Endstop



6083 Glider



6096 Glider 6083 in strip form



6098 Roller



3840



3840



3840



3840

www.silentgliss.at
www.silentgliss-russia.com
www.silentgliss-cee.com

Silent Gliss GesmbH
Gewerbestraße 6
A - 6710 Nenzing
Tel. + 43 (0) 5525 64 111
Fax. + 43 (0) 5525 63 170

Silent Gliss GesmbH
Jochen-Rindt-Straße 1
A - 1230 Wien
Tel. + 43 (0) 1 615 02 72
Fax. + 43 (0) 1 615 02 72-88

Silent Gliss GesmbH
Vertriebsbüro / Showroom
Stubenring 6
A – 1010 Wien
Tel. +43 (0) 1 513 16 77
Fax. +43 (0) 1 513 16 77-88