

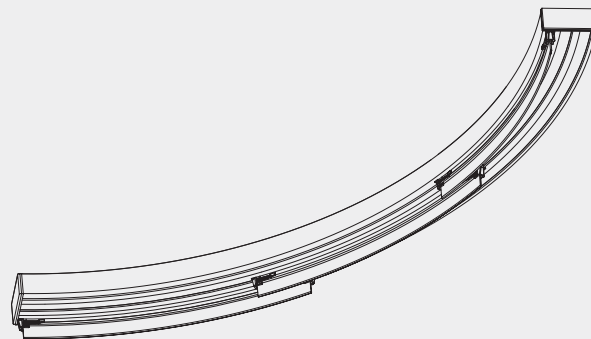
# Panel Glide Systems





## Curved Panel Glide System

# Silent Gliss® 2730 Flex



### Product Information

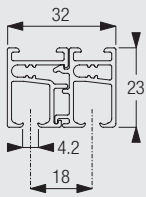
- Innovative, bendable Panel Glide System for residential as well as contract applications.
- A true unique system of two or more channel sliding panels for use as a window or wall dressing or room divider.
- Bendable starting up from 15 cm radius.
- Flexible carriers allow for smooth and silent operation.
- System adjusts to almost every possible room thanks to the bendable tracks and the flexible carriers.
- Carrier cut to exact desired width. Panel weight should not exceed 2 kg per metre including bottom bars.
- Operating Methods: hand and draw rod operated.
- Panels are easily removed for cleaning or to change decor thanks to the retractable panels.
- Delivered ready assembled. Large and attractive fabric offer.



2730

## Profile and Bending Information

### 2 Channel Profile



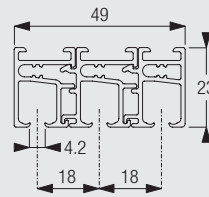
10132



15 cm

(fixed on hand bender) > 25 cm  
(on bending machine)

### 3 Channel Profile



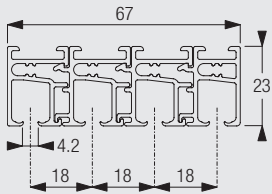
10133



15 cm

(fixed on hand bender) > 25 cm  
(on bending machine)

### 4 Channel Profile



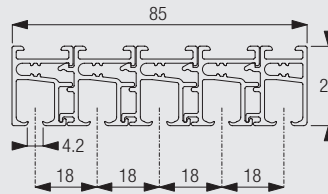
10134



15 cm

(fixed on hand bender) > 25 cm  
(on bending machine)

### 5 Channel Profile



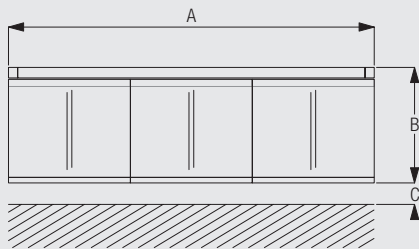
10135



15 cm

(fixed on hand bender) > 25 cm  
(on bending machine)

## How to measure & Panel Dimensions

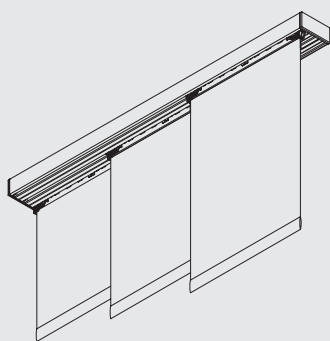


A: System width  
B: System height  
C: Distance between panel and floor: 15 mm



2730

### Dimensions of Panels



Panels are suspended from flexible carrier 10180 in the profile channel. The width of the fabric panel depend on system width an numbers of panels. The overlap can also be varied between 10-13 cm. Panels should not exceed 2 kg per metre including bottom bars.

## System Dimensions



unlimited for  
handoperated  
(unconnected panels)



3 m



max. 2 kg per metre  
carrier (incl. bottom  
weight bar)

Bendable till 5-channel profile.

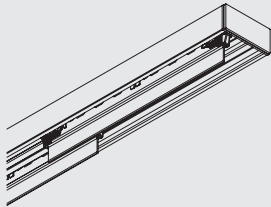
The system dimension depends mainly on the operation method and the fabric weight.

For hand operated (unconnected panels), the system length is unlimited. Hand operated with draw rod (connected panels) systems should not exceed a total system length of 6 m.

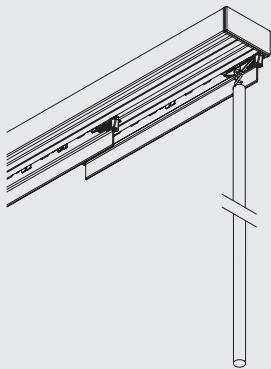
The maximum drop of the system should not exceed 3 m.

## Operating Methods & Stacking Variations

### Hand operated (unconnected panels)



### Hand operated by draw rod (connected panels)



### Single stack right or left (open / closed)



### Centre stack (open / closed)



### Pair stack (open / closed)



Other variations are possible. Same splitting for curved profiles.



2730

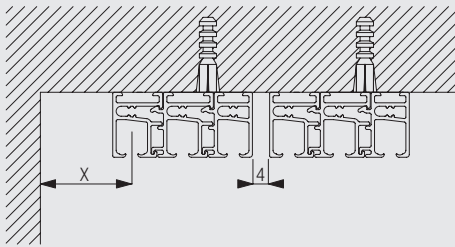
## Fitting Information

### Bracket Positioning



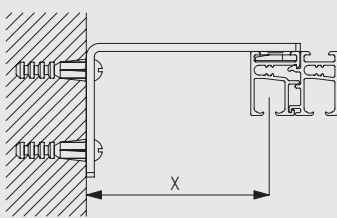
## Fitting Options

### Ceiling fitting with screw

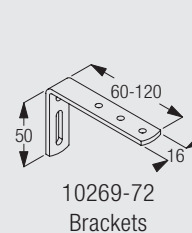


X = The final distances from the wall/window depend on barriers like radiators, window handle, window ledge, etc.

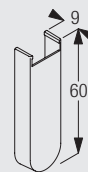
### Wall fitting with brackets 10269-72 and slot nut



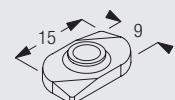
	X (mm) 10132	X (mm) 10133	X (mm) 10134	X (mm) 10135
10269	50	32	-	-
10270	70	52	34	-
10271	90	72	44	36
10272	110	92	64	56



10269-72  
Brackets



3133  
Bracket cover









10160  
Slot nut

When profile 10134 is used, bracket 10269 is not applicable.  
When profile 10135 is used, brackets 10269 and 10270 are not applicable.



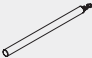
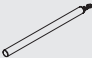
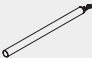
## Standard Accessories



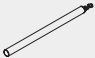
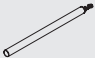
10132	Profile 2-channels		10133	Profile 3-channels	
10134	Profile 4-channels		10135	Profile 5-channels	
10162	Cover		10163	Cover	

10164	Cover	
10179	Profile	
10196	Eyellet for draw rod	
10234	Fabric weight glass	

10165	Cover	
10180	Flexible carrier	
10233	Lead weight 100 gr/m	

## Optional Accessories

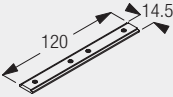
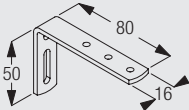
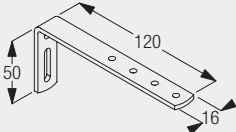
10076	Fabric weight	
10177	Connecting bridge	
10430	Draw rod (aluminium) with hook, 50 cm	
10432	Draw rod (aluminium) with hook, 100 cm	
10434	Draw rod (aluminium) with hook, 150 cm	

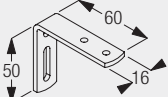
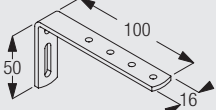
10160	Slot nut	
10243	Angle (with screw)	
10431	Draw rod (aluminium) with hook, 75 cm	
10433	Draw rod (aluminium) with hook, 125 cm	

## Useful Measurements



2730

10177	Connecting bridge	
10270	Wall bracket (80 mm)	
10272	Wall bracket (120 mm)	

10269	Wall bracket (60 mm)	
10271	Wall bracket (100 mm)	

[www.silentgliss.at](http://www.silentgliss.at)  
[www.silentgliss-russia.com](http://www.silentgliss-russia.com)  
[www.silentgliss-cee.com](http://www.silentgliss-cee.com)

Silent Gliss GesmbH  
Gewerbestraße 6  
A - 6710 Nenzing  
Tel. + 43 (0) 5525 64 111  
Fax. + 43 (0) 5525 63 170

Silent Gliss GesmbH  
Jochen-Rindt-Straße 1  
A - 1230 Wien  
Tel. + 43 (0) 1 615 02 72  
Fax. + 43 (0) 1 615 02 72-88

Silent Gliss GesmbH  
Vertriebsbüro / Showroom  
Stubenring 6  
A – 1010 Wien  
Tel. +43 (0) 1 513 16 77  
Fax. +43 (0) 1 513 16 77-88