

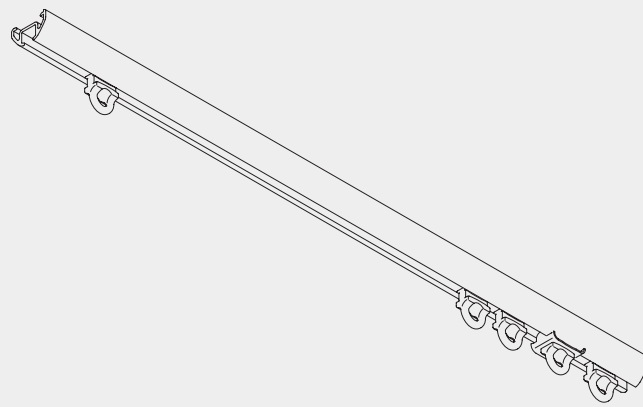
# Hand Operated Curtain Track Systems





## Hand Operated Curtain Track System

# Silent Gliss® 1060



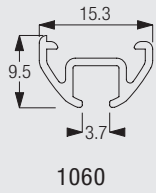
### Product Information

- Hand operated curtain track for light curtains in residential and contract applications.
- For light weight curtains.
- Very elegant, thin and bendable profile (Min. radius 6 cm).
- Easy fixing with hidden clamp to all kind of ceilings.
- Standard colours: anodised aluminium or white powder coated.
- Standard length of the profiles is 6 m. Systems can be planned to unlimited lengths due to a special connecting bridge.
- Large and attractive fabric offer.



1060

## Profile and Bending Information



Min. radius 60 mm

1060

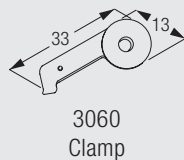
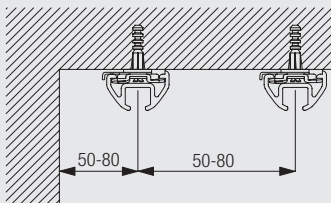
## Fitting Information



## Fitting Options

CAD download through Silent Gliss Extranet / Downloads

### Ceiling fixing with clamp 3060



3060  
Clamp

Fix track with at least one clamp 3060 every 30 cm - 40 cm. Higher edge of profile to room side. The final distances depend on system height and width and the way of confectioning.



1060

## Standard Accessories

3070 End stop



3085 Spring stop



3533 Glider



3599 Hook



## Optional Accessories

3534 Glider 3533 in strip form



3537 Glider



3548 Clic-glider



3549 Clic-hookglider



3582 Hook

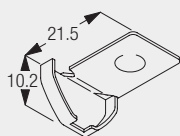


3598 Eyelet

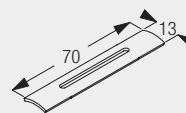


## Useful Measurements

3061 Endcover



3062 Connecting bridge



1060



1060



1060

[www.silentgliss.at](http://www.silentgliss.at)  
[www.silentgliss-russia.com](http://www.silentgliss-russia.com)  
[www.silentgliss-cee.com](http://www.silentgliss-cee.com)

Silent Gliss GesmbH  
Gewerbestraße 6  
A - 6710 Nenzing  
Tel. + 43 (0) 5525 64 111  
Fax. + 43 (0) 5525 63 170

Silent Gliss GesmbH  
Jochen-Rindt-Straße 1  
A - 1230 Wien  
Tel. + 43 (0) 1 615 02 72  
Fax. + 43 (0) 1 615 02 72-88

Silent Gliss GesmbH  
Vertriebsbüro / Showroom  
Stubenring 6  
A – 1010 Wien  
Tel. +43 (0) 1 513 16 77  
Fax. +43 (0) 1 513 16 77-88