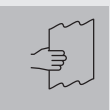


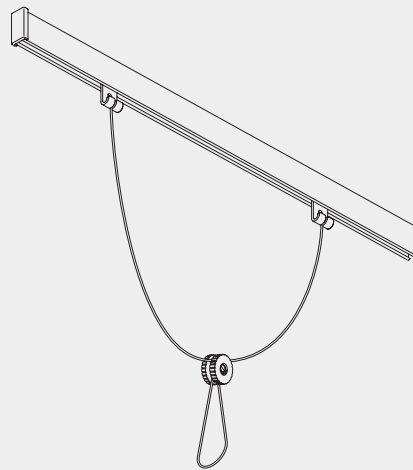
Hand Operated Curtain Track Systems





Picture Hanging System

Silent Gliss® 3600



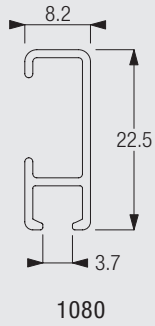
Product Information

- Specially developed picture hanging system for fast and precise hanging and moving of framed pictures.
- For hanging framed pictures without damaging the walls.
- Suitable for residential use as well as galleries, schools, banks, offices, etc.
- For pictures weighing up to 10 kg.
- Very elegant, sturdy and bendable profile with hidden fitting channel. Serves also as an elegant ceiling finish.
- Easy wall fixing with specially developed button fix brackets.
- Standard colours: anodised aluminium or white powder coated.
- Standard length of the profiles is 6 m. Systems can be planned to unlimited lengths due to a special connecting bridge.



3600

Profile and Bending Information



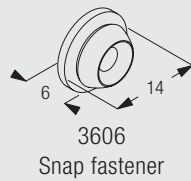
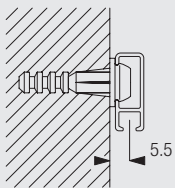
Fixing Points



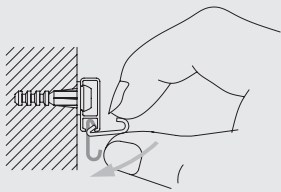
Fitting Options

CAD download through Silent Gliss Extranet / Downloads

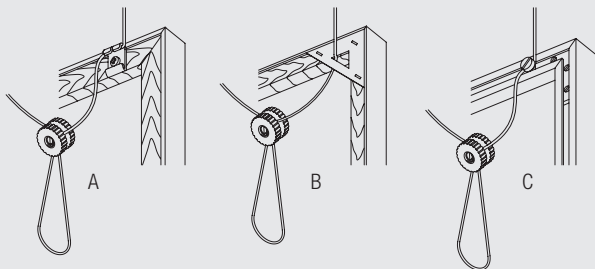
Direct to wall fixing of snap fastener bracket 3606



Hang-up pictures with set 3665



Click in the hook 3663.



- A: Fixing the cord at the hook 3663
- B: Engineer the cord in to the picture frame.
- C: Clamping the cord on the screw.

Standard Accessories

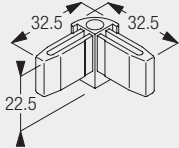
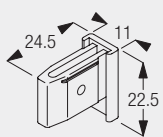
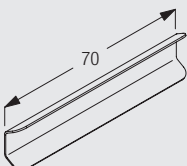

Sets

3665	Picture hanging set, containing	3634	Height adjuster	1	
		3637	Cord	5 m	
		3663	Hook	4	

Optional Accessories

3511	Glider		9961	Nylon rope (1.5mm)	
9962	Steel wire rope (1.5mm)		9963	Hook	
9964	Picture hanging to bolt down				

Useful Measurements

3604	Corner piece		3605	End cover	
3657	Connecting bridge				 3600



3600



3600

www.silentgliss.at
www.silentgliss-russia.com
www.silentgliss-cee.com

Silent Gliss GesmbH
Gewerbestraße 6
A - 6710 Nenzing
Tel. + 43 (0) 5525 64 111
Fax. + 43 (0) 5525 63 170

Silent Gliss GesmbH
Jochen-Rindt-Straße 1
A - 1230 Wien
Tel. + 43 (0) 1 615 02 72
Fax. + 43 (0) 1 615 02 72-88

Silent Gliss GesmbH
Vertriebsbüro / Showroom
Stubenring 6
A – 1010 Wien
Tel. +43 (0) 1 513 16 77
Fax. +43 (0) 1 513 16 77-88