

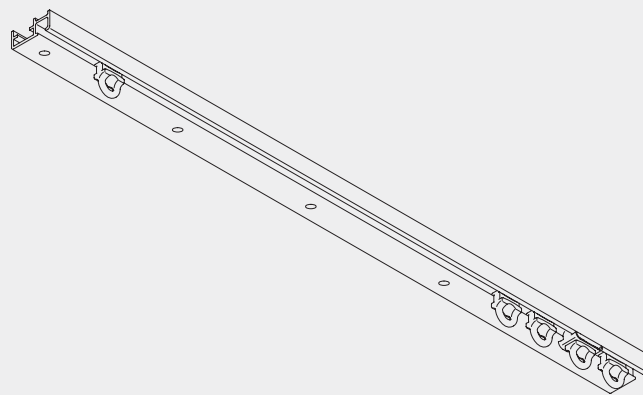
Hand Operated Curtain Track Systems





Hand Operated Curtain Track System

Silent Gliss® 1031



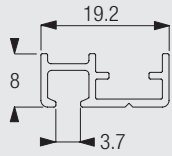
Product Information

- One channel curtain track for contract and residential applications.
- For light and medium weight applications.
- Only 8mm slim profile for direct ceiling fixing.
- Profile is pre-drilled every 40 cm.
- Bendable up to minimum 10 cm.
- Standard colours are aluminium anodised and white powder coated.
- Standard length of the profiles is 6 m, unlimited system width due to connecting bridge.
- For one, two or multiple symmetrical and asymmetrical applications.
- Large fabric offer.



1031

Profile and Bending Information



1031



Min. radius 100 mm

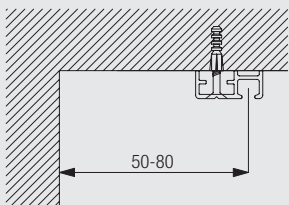
Fixing Points



Fitting Options

CAD download through Silent Gliss Extranet / Downloads

Direct fixing to ceiling



The final distances depend on system height and width and the way of confectioning. The profile is pre-drilled every 40cm.



1031

Standard Accessories

3070 End stop



3085 Spring stop



3533 Glider



3599 Hook



Optional Accessories

3534 Glider 3533 in strip form



3537 Glider



3548 Clic-glider



3549 Clic-hookglider



3582 Hook

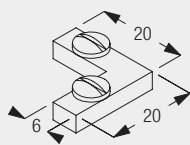


3598 Eyelet

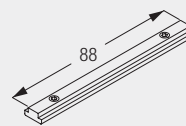


Useful Measurements

3177 Corner connector



6516 Connecting bridge



1031



1031



1031

www.silentgliss.at
www.silentgliss-russia.com
www.silentgliss-cee.com

Silent Gliss GesmbH
Gewerbestraße 6
A - 6710 Nenzing
Tel. + 43 (0) 5525 64 111
Fax. + 43 (0) 5525 63 170

Silent Gliss GesmbH
Jochen-Rindt-Straße 1
A - 1230 Wien
Tel. + 43 (0) 1 615 02 72
Fax. + 43 (0) 1 615 02 72-88

Silent Gliss GesmbH
Vertriebsbüro / Showroom
Stubenring 6
A – 1010 Wien
Tel. +43 (0) 1 513 16 77
Fax. +43 (0) 1 513 16 77-88