

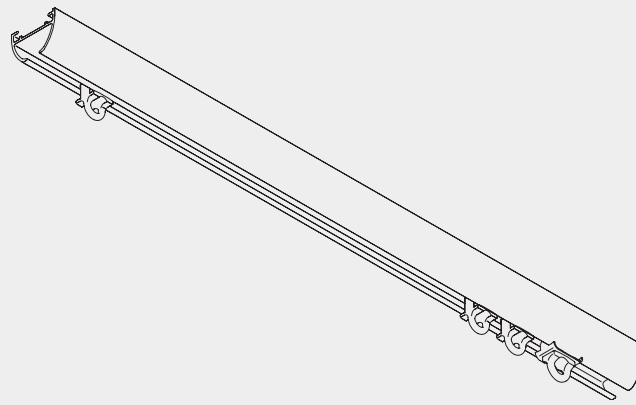
Hand Operated Curtain Track Systems





Hand Operated Curtain Track System

Silent Gliss® 6010



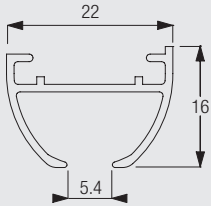
Product Information

- Hand operated curtain track for light and medium weight curtains in residential and contract applications.
- Very elegant, bendable profile (Min. radius 15cm) with hidden fixing channel.
- Easy fixing with hidden clamp to all kind of ceilings.
- Standard colours: anodised aluminium or white powder coated.
- Standard length of the profiles is 6 m. Systems can be planned to unlimited lengths due to a special connecting bridge.
- Large and attractive fabric offer.



6010

Profile and Bending Information



6010



Min. radius 150 mm

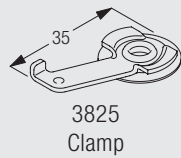
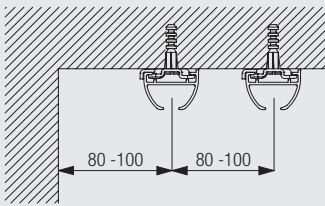
Fixing Points



Fitting Options

CAD download through Silent Gliss Extranet / Downloads

Ceiling fixing with clamp 3825



3825
Clamp

The final distances from the wall depend on curtain weight, make-up and any obstructions.



6010

Standard Accessories

3599 Hook



6065 Endstop



6083 Glider



6245 Spring



Optional Accessories

3581 Hook



3582 Hook



3598 Eyelet



6057 Glider

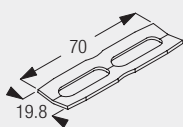


6096 Glider 6083 in strip form

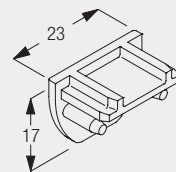


Useful Measurements

3802 Connecting bridge



6018 Endcover



6010



6010



6010

www.silentgliss.at
www.silentgliss-russia.com
www.silentgliss-cee.com

Silent Gliss GesmbH
Gewerbestraße 6
A - 6710 Nenzing
Tel. + 43 (0) 5525 64 111
Fax. + 43 (0) 5525 63 170

Silent Gliss GesmbH
Jochen-Rindt-Straße 1
A - 1230 Wien
Tel. + 43 (0) 1 615 02 72
Fax. + 43 (0) 1 615 02 72-88

Silent Gliss GesmbH
Vertriebsbüro / Showroom
Stubenring 6
A – 1010 Wien
Tel. +43 (0) 1 513 16 77
Fax. +43 (0) 1 513 16 77-88