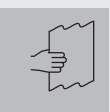


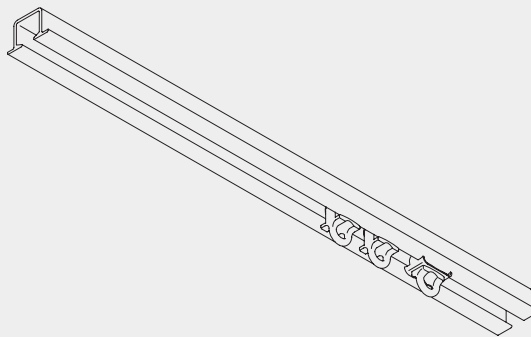
Hand Operated Curtain Track Systems





Hand Operated Curtain Track System

Silent Gliss® 6243



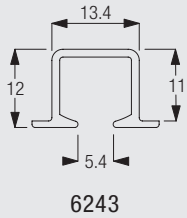
Product Information

- One channel curtain track for medium to heavy weight contract applications.
- Thin and bendable recess profile with 5.4mm gliding channel. Minimum bending radius 20cm.
- Pre-drilled every 40 cm.
- Standard colours: anodised aluminium or white powder coated.
- Standard length of the profiles is 6 m. Systems can be planned to unlimited lengths due to a special connecting bridge.
- For one, two or multiple symmetrical or asymmetrical curtains.
- Possible for Wave XL.



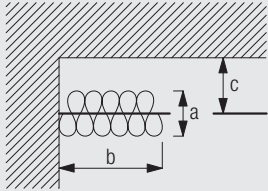
6243

Profile and Bending Information



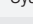



 Min. radius 20 cm
 Wave XL: min. radius 50 cm

Stack size calculation Wave XL

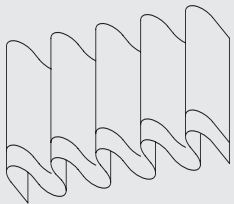


a = Stack depth 35 cm
 b = Stack size
 c = Min. distance 22 cm

System width		77-107	108-143	144-179	180-215	216-251	252-287	288-323	324-359	360-395
	b	21	26	31	36	41	46	51	56	61
System width		396-431	432-468	469-503	504-539	540-575	576-600			
	b	66	71	76	81	86	91			
System width		154-217	218-289	290-361	362-433	434-505	506-577	578-600		
	b	21	26	31	36	41	46	51		

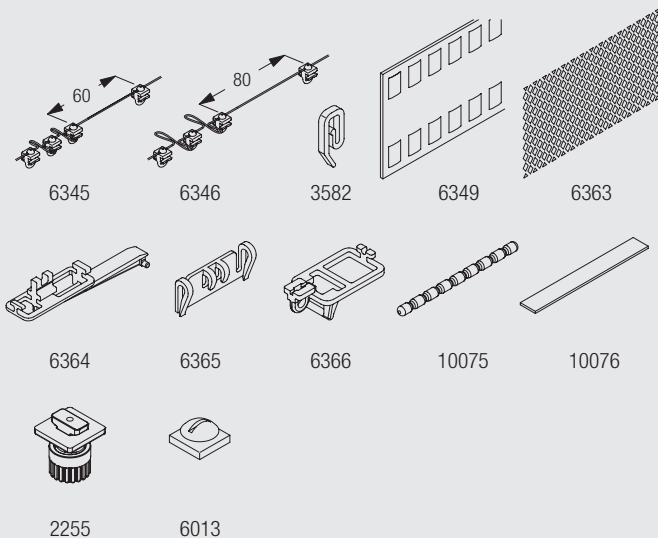
System Option

Wave curtain heading system



6243

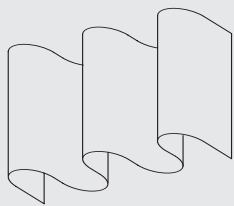
Wave is an exciting new contemporary curtain heading system which allows curtains to hang in a continuous wave which is smooth, simple and elegant.



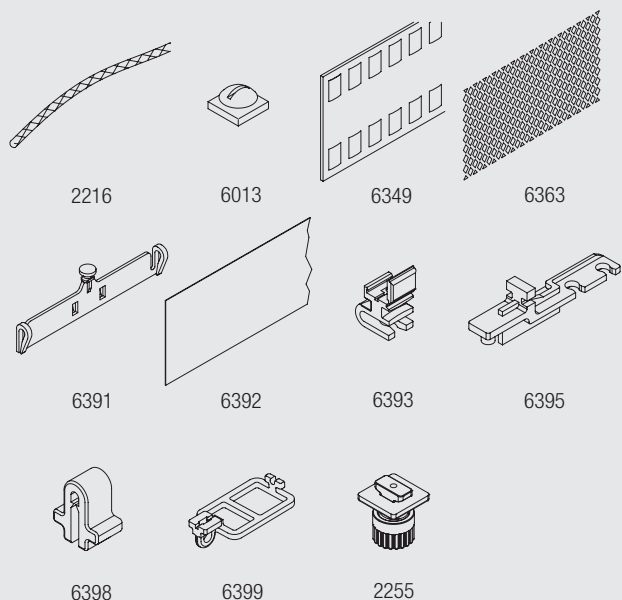
The Wave components are:

3582 - Hook
 6013 - Endstop
 6345 - Glider cord 60 mm
 6346 - Glider cord 80 mm
 6349 - Curtain tape
 6363 - Iron tape
 6364 - Extension
 6365 - Hanger
 6366 - Carrier for draw rod
 10075 - Lead weight 50 gr/m
 10076 - Fabric weight
 2255 - Brake comb.

Wave XL curtain heading system



Wave XL is especially designed for high and large application areas through generously designed waves with large cross section dimensions.



The Wave XL components are:

- 2216 Cord 0,85 mm
- 6013 Endstop
- 6349 Curtain tape
- 6363 Iron tape
- 6391 Hanger
- 6392 Heading film
- 6393 Glider
- 6395 Extension
- 6398 Clip
- 6399 Carrier for draw rod
- 2255 Brake comb.

Fixing Points

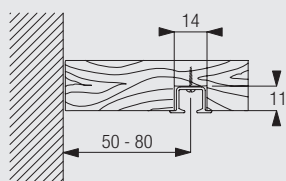


6243

Fitting Options

CAD download through Silent Gliss Extranet / Downloads

Recess ceiling fix



The final distances from the wall depend on curtain weight, make-up and any obstructions.
Wave XL: min. wall depend - middle of profile 22 cm

Standard Accessories

6065 Endstop



6086 Spring stop



6240 Roller



Optional Accessories

3581 Hook



3598 Eyelet



3599 Hook



6057 Glider



6083 Glider



6096 Glider 6083 in strip form



6098 Roller



6213 Clic-Glider

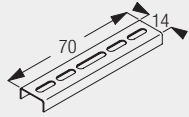


6283 Roller



Useful Measurements

3067 Connecting bridge



6243



6243

www.silentgliss.at
www.silentgliss-russia.com
www.silentgliss-cee.com

Silent Gliss GesmbH
Gewerbestraße 6
A - 6710 Nenzing
Tel. + 43 (0) 5525 64 111
Fax. + 43 (0) 5525 63 170

Silent Gliss GesmbH
Jochen-Rindt-Straße 1
A - 1230 Wien
Tel. + 43 (0) 1 615 02 72
Fax. + 43 (0) 1 615 02 72-88

Silent Gliss GesmbH
Vertriebsbüro / Showroom
Stubenring 6
A – 1010 Wien
Tel. +43 (0) 1 513 16 77
Fax. +43 (0) 1 513 16 77-88