

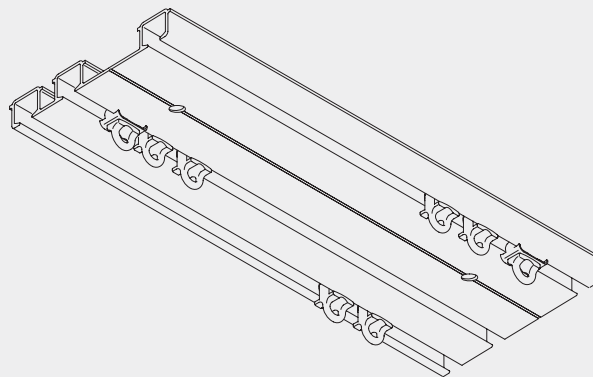
Hand Operated Curtain Track Systems





Hand Operated Curtain Track System

Silent Gliss® 6293



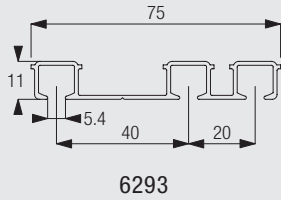
Product Information

- Three channel curtain track for medium to heavy weight contract applications.
- Very sturdy, only 11 mm high profile with 5.4mm gliding channels.
- The profile is not bendable.
- Easy direct fixing to all types of ceilings. Profile is pre-drilled all 40 cm.
- Standard colours: anodised aluminium or white powder coated.
- Standard length of the profiles is 6 m. Systems can be planned to unlimited lengths due to a special connecting bridge.
- For one, two or multiple symmetrical or asymmetrical curtains.



6293

Profile and Bending Information



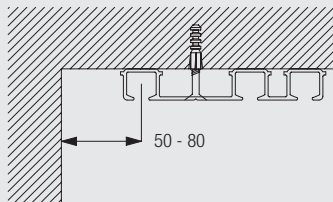
Cannot be bent.

Fixing Points



Fitting Options

Direct to ceiling fixing



The final distances from the wall depend on curtain weight, make-up and any obstructions. The profile is pre-drilled every 40 cm.



6293

Standard Accessories

6065 Endstop



6086 Spring stop



6240 Roller



Optional Accessories

3581 Hook



3598 Eyelet



3599 Hook



6057 Glider



6083 Glider



6096 Glider 6083 in strip form



6098 Roller



6213 Clic-Glider

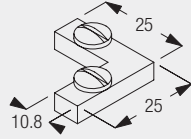


6283 Roller

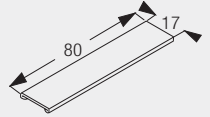


Useful Measurements

6246 Corner connection



6269 Connecting bridge



6293



6293



6293

www.silentgliss.at
www.silentgliss-russia.com
www.silentgliss-cee.com

Silent Gliss GesmbH
Gewerbestraße 6
A - 6710 Nenzing
Tel. + 43 (0) 5525 64 111
Fax. + 43 (0) 5525 63 170

Silent Gliss GesmbH
Jochen-Rindt-Straße 1
A - 1230 Wien
Tel. + 43 (0) 1 615 02 72
Fax. + 43 (0) 1 615 02 72-88

Silent Gliss GesmbH
Vertriebsbüro / Showroom
Stubenring 6
A – 1010 Wien
Tel. +43 (0) 1 513 16 77
Fax. +43 (0) 1 513 16 77-88