

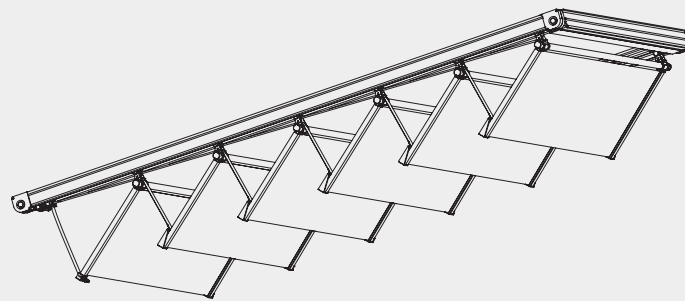
# Skylight Shading Systems





## Skylight System

# Silent Gliss® 8800



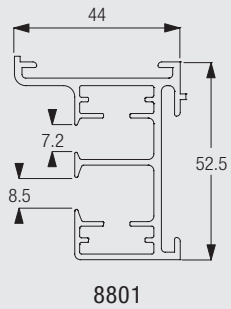
### Product Information

- Unique and innovative panel based glass roof shading system.
- Panel tilting and retracting technique.
- For horizontal and sloping applications (max. 30°).
- Vertical tilting of panels avoids soiling and heat jams.
- Specially defined fabrics available.
- Positive impact on the acoustic of large glass halls. (even on unglazed roofs).
- Panel supporting parts are built in flame retardant and uv-resistant material.
- Can be combined with Radio Remote Control System Silent Gliss 9940.



8800

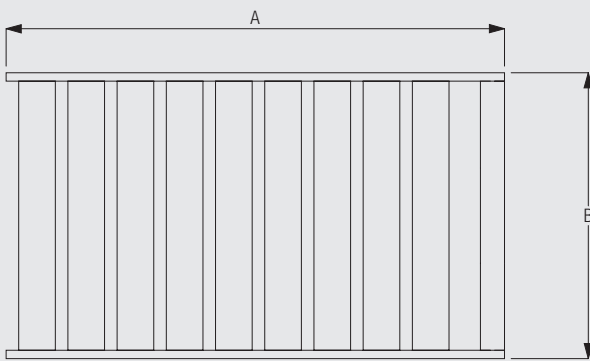
## Profile and Bending Information



Only for straight systems.

## Measuring and Planning Help

### How to measure

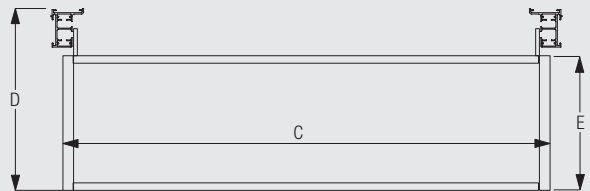


- A: System length
- B: System width
- C: Panel width
- D: System height
- E: Panel height

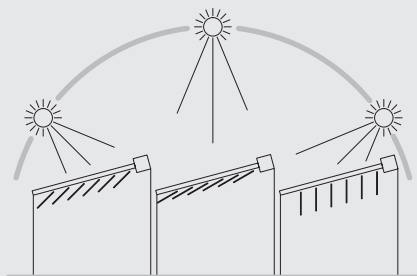
System height is always 520 mm.



8800

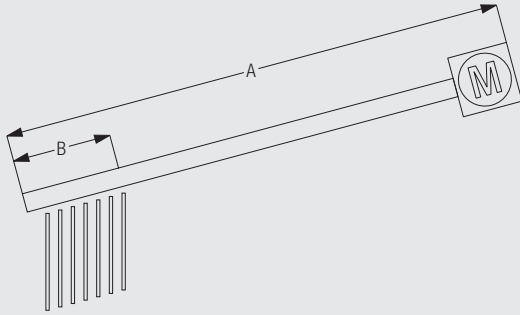


### Planning guidelines

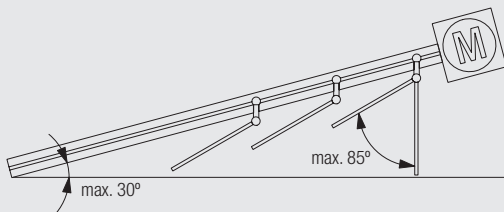


#### Orientation of the System:

In order to optimize glare and light control, special attention has to be given to the position of the system to the sun throughout the day.



A	4m	6m	8m	10m	12m
B	43cm	65cm	88cm	114cm	136cm



#### Motor Positioning

At systems with inclination, the motor is always positioned on top of the system.

#### Stack Sizes:

Stack sizes are variable: The longer the system (A), the longer its stack (B).

#### Inclination and tilting:

The maximum inclination of a system is 30°. The maximum tilting of the panel from its vertical position is 85°.

## System and Panel Dimensions



3 m



max. 36 m<sup>2</sup>



12 m  
(0° inclination)  
7 m  
(30° inclination)



Max. panels: 36



67 kg

### Maximum System Measures

Inclination	0°	15°	30°
Width	3m	3m	3m
Length	12m	10m	7m
height	0.52m	0.52m	0.52m

The maximum dimensions of the system and panels depend on the degree of inclination. (The maximum inclination of the system is 30°.)

### Panel Measures (Fabric)

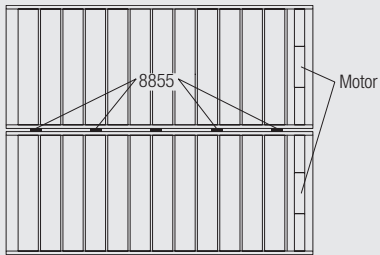
The height of the fabric panels is always 36 cm.



8800

## System Options

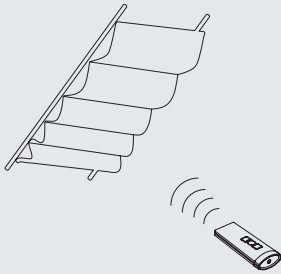
### Multiple Systems



By the use of intermediate brackets, side-by-side fixing of several systems is possible. This allows shading of unlimited glass surfaces.

However, each system requires its own motor.

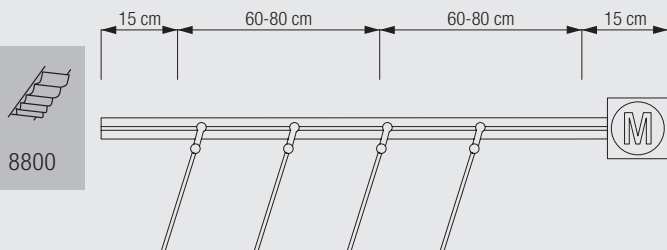
### Radio Remote Control System Silent Gliss 9940



Combined with the Radio Remote Control System Silent Gliss 9940, this system offers maximum comfort with minimum wiring. For further details, please refer to catalogue section "Motors & Controls".

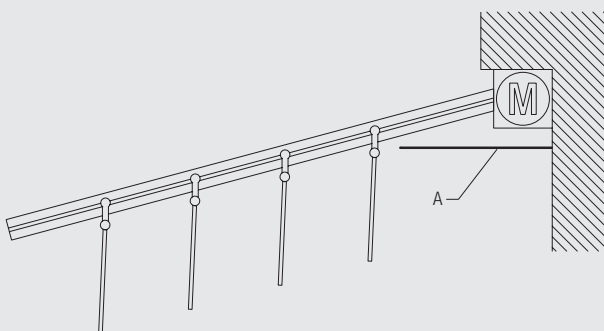
## Fitting Information

### Bracket Positioning



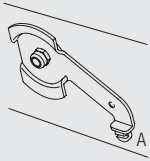
Brackets are necessary on the positions shown.

### Fitting of motor and cover of motor



The gap on frontside of the system can be reduced with the cover (A).

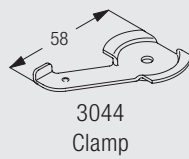
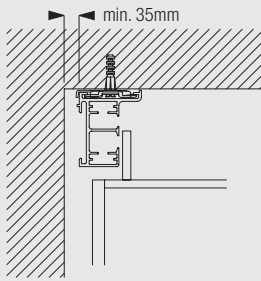
## Additional clamp fixation (wall mounting)



Important:  
Clamp 3044 needs to be extra fixed by a small screw (A) in order to achieve highest security level.

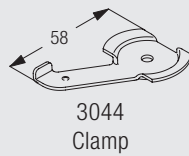
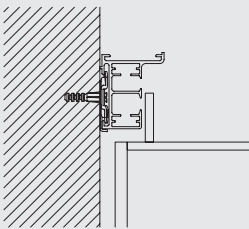
## Fitting Options

### Ceiling fitting with clamp 3044 (single system)



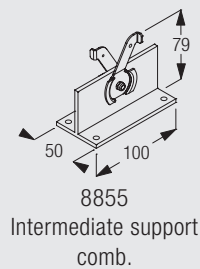
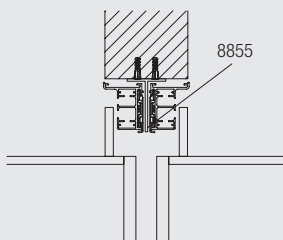
3044  
Clamp

### Wall fitting with clamp 3044



3044  
Clamp

### Ceiling side-by-side fitting with Intermediate support combination 8855 and clamp 3044 (multiple systems)



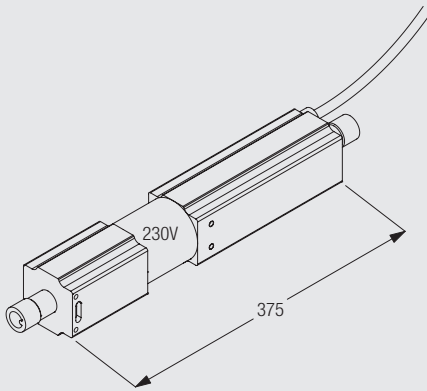
8855  
Intermediate support  
comb.



8800

## Motor & Controls

## Motor Silent Gliss 9009



- Torque: 10 Nm
- Voltage: 230 V
- Frequency: 50 Hz
- Power: 150 W
- Current: 0,66 A
- Speed: 35 U/min.
- Thermal overload protection
- Mechanical end stop

The Silent Gliss motor 9009 is an interference-free motor, designed to offer top performance in regard to strength and reliability. The entire motor is integrated in the profile.

### Operating Methods

Radio Remote Control System Silent Gliss 9940

The System can be combined with Radio Remote Control System Silent Gliss 9940. For further details, please refer to catalogue section "Motors & Controls".

### Wiring and Connections

Important: Connection-diagram can be downloaded through Silent Gliss Extranet / Downloads



8800





8800



8800



8800

[www.silentgliss.at](http://www.silentgliss.at)  
[www.silentgliss-russia.com](http://www.silentgliss-russia.com)  
[www.silentgliss-cee.com](http://www.silentgliss-cee.com)

Silent Gliss GesmbH  
Gewerbestraße 6  
A - 6710 Nenzing  
Tel. + 43 (0) 5525 64 111  
Fax. + 43 (0) 5525 63 170

Silent Gliss GesmbH  
Jochen-Rindt-Straße 1  
A - 1230 Wien  
Tel. + 43 (0) 1 615 02 72  
Fax. + 43 (0) 1 615 02 72-88

Silent Gliss GesmbH  
Vertriebsbüro / Showroom  
Stubenring 6  
A – 1010 Wien  
Tel. +43 (0) 1 513 16 77  
Fax. +43 (0) 1 513 16 77-88